

Instructions for use

WASHING MACHINE

GB

GB

English,1

UA

Українська, 13

CZ

Česky,25

SK

Slovensky,37

PL

Polski,49

HU

Magyar,61

IWSB 61051

Contents

Installation, 2-3

Unpacking and levelling
Connecting the electricity and water supplies
The first wash cycle
Technical data

Care and maintenance, 4

Cutting off the water or electricity supply
Cleaning the washing machine
Cleaning the detergent dispenser drawer
Caring for the door and drum of your appliance
Cleaning the pump
Checking the water inlet hose

Precautions and tips, 5

General safety
Disposal

Description of the washing machine and starting a wash cycle, 6-7

Control panel
Indicator lights
Starting a wash cycle

Wash cycles, 8

Table of wash cycles

Personalisation, 9

Setting the temperature
Functions

Detergents and laundry, 10

Detergent dispenser drawer
Preparing the laundry
Garments requiring special care
Load balancing system

Troubleshooting, 11

Service, 12

Installation

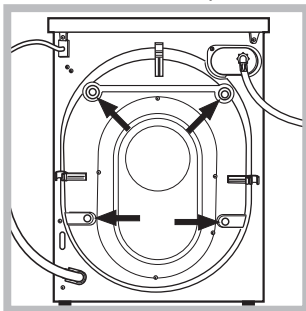
GB

! This instruction manual should be kept in a safe place for future reference. If the washing machine is sold, transferred or moved, make sure that the instruction manual remains with the machine so that the new owner is able to familiarise himself/herself with its operation and features.
! Read these instructions carefully: they contain vital information relating to the safe installation and operation of the appliance.

Unpacking and levelling

Unpacking

1. Remove the washing machine from its packaging.
2. Make sure that the washing machine has not been damaged during the transportation process. If it has been damaged, contact the retailer and do not proceed any further with the installation process.



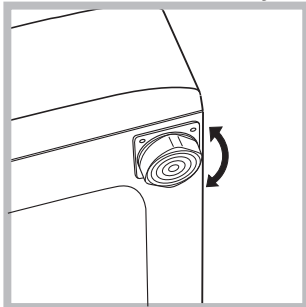
3. Remove the 4 protective screws (used during transportation) and the rubber washer with the corresponding spacer, located on the rear part of the appliance (see figure).

4. Close off the holes using the plastic plugs provided.
5. Keep all the parts in a safe place: you will need them again if the washing machine needs to be moved to another location.

! Packaging materials should not be used as toys for children.

Levelling

1. Install the washing machine on a flat sturdy floor, without resting it up against walls, furniture cabinets or anything else.

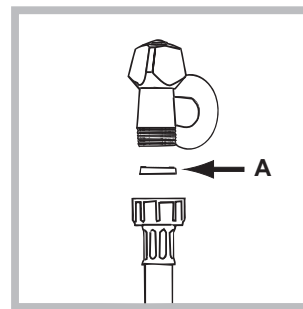


2. If the floor is not perfectly level, compensate for any unevenness by tightening or loosening the adjustable front feet (see figure); the angle of inclination, measured in relation to the worktop, must not exceed 2°.

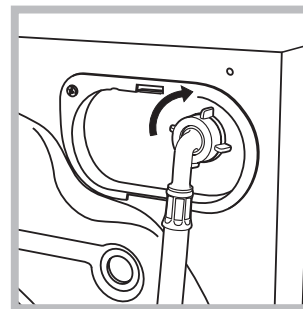
Levelling the machine correctly will provide it with stability, help to avoid vibrations and excessive noise and prevent it from shifting while it is operating. If it is placed on carpet or a rug, adjust the feet in such a way as to allow a sufficient ventilation space underneath the washing machine.

Connecting the electricity and water supplies

Connecting the water inlet hose



1. Insert seal A into the end of the inlet hose and screw the latter onto a cold water tap with a 3/4 gas threaded mouth (see figure). Before making the connection, allow the water to run freely until it is perfectly clear.



2. Connect the inlet hose to the washing machine by screwing it onto the corresponding water inlet of the appliance, which is situated on the top right-hand side of the rear part of the appliance (see figure).

3. Make sure that the hose is not folded over or bent.

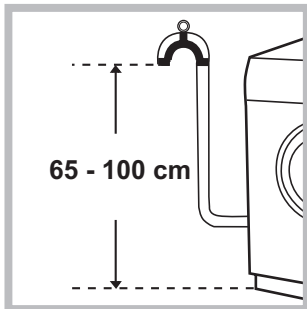
! The water pressure at the tap must fall within the values indicated in the Technical details table (see next page).

! If the inlet hose is not long enough, contact a specialised shop or an authorised technician.

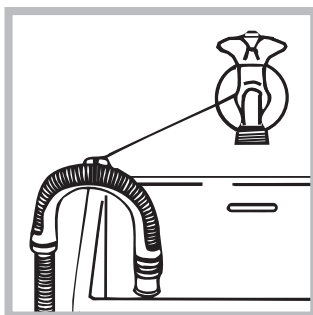
! Never use second-hand hoses.

! Use the ones supplied with the machine.

Connecting the drain hose



Connect the drain hose, without bending it, to a drainage duct or a wall drain located at a height between 65 and 100 cm from the floor;



Alternatively, place the drain hose over the edge of a washbasin or bathtub, by fastening the guide (which can be purchased at the technical assistance centre) to the tap (see figure). The free end of the hose should not be underwater.

! We advise against the use of hose extensions; if it is absolutely necessary, the extension must have the same diameter as the original hose and must not exceed 150 cm in length.

Electrical connections

Before plugging the appliance into the electricity socket, make sure that:

- the socket is earthed and complies with all applicable laws;
- the socket is able to withstand the maximum power load of the appliance as indicated in the Technical data table (see opposite);
- the power supply voltage falls within the values indicated in the Technical data table (see opposite);
- the socket is compatible with the plug of the washing machine. If this is not the case, replace the socket or the plug.

! The washing machine must not be installed outdoors, even in covered areas. It is extremely dangerous to leave the appliance exposed to rain, storms and other weather conditions.

! When the washing machine has been installed, the electricity socket must be within easy reach.

! Do not use extension cords or multiple sockets.



! The cable should not be bent or compressed.

! The power supply cable must only be replaced by authorised technicians.

Warning! The company shall not be held responsible in the event that these regulations are not respected.

The first wash cycle

Once the appliance has been installed, and before you use it for the first time, run a wash cycle with detergent and no laundry, using the wash cycle 2.

| Technical data | |
|---|--|
| Model | IWSB 61051 |
| Dimensions | width 59,5 cm height 85 cm depth 40 cm |
| Capacity | from 1 to 6 kg |
| Electrical connections | please refer to the technical data plate fixed to the machine |
| Water connection | maximum pressure 1 MPa (10 bar) minimum pressure 0.05 MPa (0.5 bar) drum capacity 40 litres |
| Spin speed | up to 1000 rotations per minute |
| Test wash cycles in accordance with directives 1061/2010 and 1015/2010 | Programme 2: Cotton standard 60°C; Programme 3: Cotton standard 40°C. |
|   | This appliance conforms to the following EC Directives: - EMC 2014/30/EU (Electromagnetic Compatibility) - LVD 2014/35/EU (Low Voltage) - 2012/19/EU (WEEE) |

Care and maintenance

GB

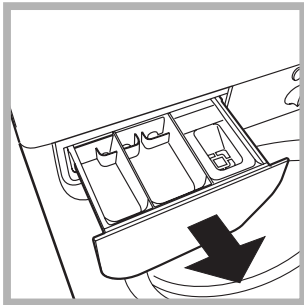
Cutting off the water and electricity supplies

- Turn off the water tap after every wash cycle. This will limit wear on the hydraulic system inside the washing machine and help to prevent leaks.
- Unplug the washing machine when cleaning it and during all maintenance work.

Cleaning the washing machine

The outer parts and rubber components of the appliance can be cleaned using a soft cloth soaked in lukewarm soapy water. Do not use solvents or abrasives.

Cleaning the detergent dispenser drawer



Remove the dispenser by raising it and pulling it out (see figure). Wash it under running water; this operation should be repeated frequently.

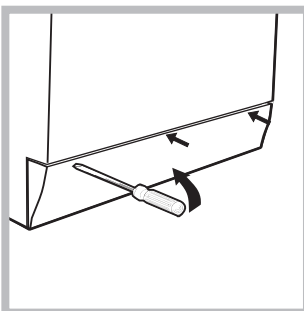
Caring for the door and drum of your appliance

- Always leave the porthole door ajar in order to prevent unpleasant odours from forming.

Cleaning the pump

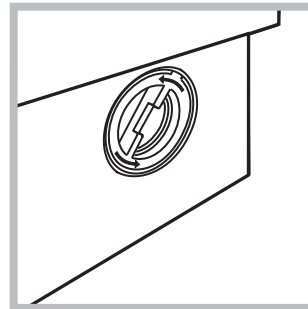
The washing machine is fitted with a self-cleaning pump which does not require any maintenance. Sometimes, small items (such as coins or buttons) may fall into the pre-chamber which protects the pump, situated in its bottom part.

- ! Make sure the wash cycle has finished and unplug the appliance.



To access the pre-chamber:

1. using a screwdriver, remove the cover panel on the lower front part of the washing machine (see figure);



2. unscrew the lid by rotating it anti-clockwise (see figure): a little water may trickle out. This is perfectly normal;

3. clean the inside thoroughly;
4. screw the lid back on;
5. reposition the panel, making sure the hooks are securely in place before you push it onto the appliance.

Checking the water inlet hose

Check the inlet hose at least once a year. If there are any cracks, it should be replaced immediately: during the wash cycles, water pressure is very strong and a cracked hose could easily split open.

- ! Never use second-hand hoses.

! This washing machine was designed and constructed in accordance with international safety regulations. The following information is provided for safety reasons and must therefore be read carefully.

Consumers should contact their local authority or retailer for information concerning the correct disposal of their old appliance.

GB

General safety

- This appliance was designed for domestic use only.
- This appliance can be used by children aged from 8 years and above and persons with reduced physical, sensory or mental capabilities or lack of experience and knowledge if they have been given supervision or instruction concerning use of the appliance in a safe way and understand the hazards involved. Children shall not play with the appliance. Cleaning and user maintenance shall not be made by children without supervision.
- Do not touch the machine when barefoot or with wet or damp hands or feet.
- Do not pull on the power supply cable when unplugging the appliance from the electricity socket. Hold the plug and pull.
- Do not open the detergent dispenser drawer while the machine is in operation.
- Do not touch the drained water as it may reach extremely high temperatures.
- Never force the porthole door. This could damage the safety lock mechanism designed to prevent accidental opening.
- If the appliance breaks down, do not under any circumstances access the internal mechanisms in an attempt to repair it yourself.
- Always keep children well away from the appliance while it is operating.
- The door can become quite hot during the wash cycle.
- If the appliance has to be moved, work in a group of two or three people and handle it with the utmost care. Never try to do this alone, because the appliance is very heavy.
- Before loading laundry into the washing machine, make sure the drum is empty.

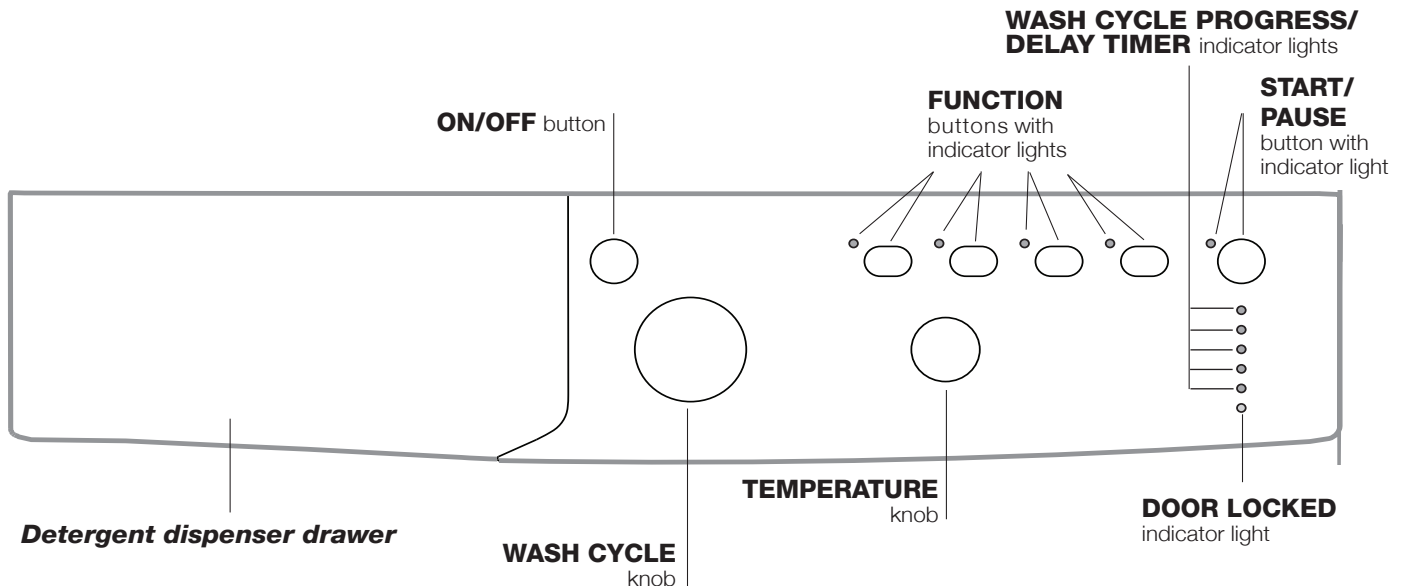
Disposal

- Disposing of the packaging materials: observe local regulations so that the packaging may be re-used.
- The European Directive 2012/19/EU on Waste Electrical and Electronic Equipment, requires that old household electrical appliances must not be disposed of in the normal unsorted municipal waste stream. Old appliances must be collected separately in order to optimise the recovery and recycling of the materials they contain and reduce the impact on human health and the environment. The crossed out “wheeled bin” symbol on the product reminds you of your obligation, that when you dispose of the appliance it must be separately collected.

Description of the washing machine and starting a wash cycle

Control panel

GB



Detergent dispenser drawer: used to dispense detergents and washing additives (see “Detergents and laundry”).

ON/OFF button: switches the washing machine on and off.

WASH CYCLE knob: programmes the wash cycles. During the wash cycle, the knob does not move.


FUNCTION buttons with indicator light: used to select the available functions. The indicator light corresponding to the selected function will remain lit.

TEMPERATURE knob: sets the temperature or the cold wash cycle (see “Personalisation”).

WASH CYCLE PROGRESS/DELAY TIMER indicator lights: used to monitor the progress of the wash cycle. The illuminated indicator light shows which phase is in progress. If the Delay Timer function has been set, the time remaining until the wash cycle starts will be indicated (see next page).

DOOR LOCKED indicator light: indicates whether the door may be opened or not (see next page).

START/PAUSE button with indicator light: starts or temporarily interrupts the wash cycles.

N.B. To pause the wash cycle in progress, press this button; the corresponding indicator light will flash orange, while the indicator light for the current wash cycle phase will remain lit in a fixed manner. If the DOOR LOCKED  indicator light is switched off, the door may be opened (wait approximately 3 minutes). To start the wash cycle from the point at which it was interrupted, press this button again.

Standby mode

This washing machine, in compliance with new energy saving regulations, is fitted with an automatic standby system which is enabled after about 30 minutes if no activity is detected. Press the ON-OFF button briefly and wait for the machine to start up again.

Indicator lights

The indicator lights provide important information. This is what they can tell you:

Delayed start

If the DELAY TIMER function has been activated (see “Personalisation”), after the wash cycle has been started the indicator light corresponding to the selected delay period will begin to flash:





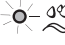


As time passes, the remaining delay will be displayed and the corresponding indicator light will flash:



The set programme will start once the selected time delay has expired.

Wash cycle phase indicator lights

Once the desired wash cycle has been selected and has begun, the indicator lights switch on one by one to indicate which phase of the cycle is currently in progress.

| | |
|-------------------|---|
| Wash |  |
| Rinse |  |
| Spin |  |
| Drain |  |
| End of wash cycle |  |

Function buttons and corresponding indicator lights

When a function is selected, the corresponding indicator light will illuminate.


If the selected function is not compatible with the programmed wash cycle, the corresponding indicator light will flash and the function will not be activated.

If the selected function is not compatible with another function which has been selected previously, the indicator light corresponding to the first function selected will flash and only the second function will be activated; the indicator light corresponding to the enabled option will remain lit.

Door locked indicator light



When the indicator light is on, the porthole door is locked to prevent it from being opened; make sure the indicator light is off before opening the door (wait approximately 3 minutes). To open the door during a running wash cycle, press the START/PAUSE button; the door may be opened once the DOOR LOCKED indicator light turns off.

Starting a wash cycle

1. Switch the washing machine on by pressing the ON/OFF button. All indicator lights will switch on for a few seconds, then they will switch off and the START/PAUSE indicator light will pulse.
2. Load the laundry and close the door.
3. Set the WASH CYCLE knob to the desired programme.
4. Set the washing temperature (see “Personalisation”).
5. Measure out the detergent and washing additives (see “Detergents and laundry”).
6. Select the desired functions.
7. Start the wash cycle by pressing the START/PAUSE button and the corresponding indicator light will remain lit in a fixed manner, in green. To cancel the set wash cycle, pause the machine by pressing the START/PAUSE button and select a new cycle.
8. At the end of the wash cycle the **END** indicator light will switch on. The door can be opened once the DOOR LOCKED  indicator light turns off (wait approximately 3 minutes). Take out your laundry and leave the appliance door ajar to make sure the drum dries completely. Switch the washing machine off by pressing the ON/OFF button.

Wash cycles

Table of wash cycles

| Wash cycles | Description of the wash cycle | Max. temp. (°C) | Max. speed (rpm) | Detergents | | | Max. load (kg) | Residual dampness % | Energy consumption kWh | Total water lit | Cycle duration |
|---|---|-------------------|------------------|------------|------|-----------------|----------------|---------------------|------------------------|-----------------|----------------|
| | | | | Pre-wash | Wash | Fabric softener | | | | | |
| Daily | | | | | | | | | | | |
| 1 | Cotton with prewash: extremely soiled whites. | 90° | 1000 | ● | ● | ● | 6 | 62 | 1,81 | 65 | 150' |
| 2 | Cotton Standard 60° (1): heavily soiled whites and resistant colours. | 60° (Max. 90°) | 1000 | - | ● | ● | 6 | 62 | 1,04 | 48,0 | 205' |
| 3 | Cotton Standard 40° (2): lightly soiled whites and delicate colours. | 40° | 1000 | - | ● | ● | 6 | 62 | 1,03 | 65 | 190' |
| 4 | Synthetics: heavily soiled resistant colours. | 60° | 800 | - | ● | ● | 3 | 44 | 0,70 | 40 | 105' |
| 4 | Synthetics (3): lightly soiled resistant colours. | 40° | 800 | - | ● | ● | 3 | 44 | 0,47 | 38 | 95' |
| 5 | Mix Colored: lightly soiled whites and delicate colours. | 40° | 1000 | - | ● | ● | 6 | 62 | 0,64 | 50 | 85' |
| 20° Zone | | | | | | | | | | | |
| 6 | Cotton Standard 20°: lightly soiled whites and delicate colours. | 20° | 1000 | - | ● | ● | 6 | - | - | - | 170' |
| 7 | Mix Light | 20° | 800 | - | ● | ● | 6 | - | - | - | 120' |
| 8 | 20' Refresh | 20° | 800 | - | ● | ● | 1,5 | - | - | - | 20' |
| Special | | | | | | | | | | | |
| 9 | Silk/Curtains: for garments in silk and viscose, lingerie. | 30° | 0 | - | ● | ● | 1 | - | - | - | 55' |
| 10 | Wool: for wool, cashmere, etc. | 40° | 800 | - | ● | ● | 1 | - | - | - | 65' |
| 11 | Jeans | 40° | 800 | - | ● | ● | 2,5 | - | - | - | 70' |
| Sport | | | | | | | | | | | |
| 12 | Sport Intensive | 30° | 600 | - | ● | ● | 2,5 | - | - | - | 85' |
| 13 | Sport Light | 30° | 600 | - | ● | ● | 2,5 | - | - | - | 60' |
| 14 | Sport Shoes | 30° | 600 | - | ● | ● | Max. 2 Pairs | - | - | - | 55' |
| Partial wash cycles | | | | | | | | | | | |
|  | Rinse | - | 1000 | - | - | ● | 6 | - | - | - | 36' |
|  | Spin + Drain | - | 1000 | - | - | - | 6 | - | - | - | 16' |

The length of cycle shown on the display or in this booklet is an estimation only and is calculated assuming standard working conditions. The actual duration can vary according to factors such as water temperature and pressure, the amount of detergent used, the amount and type of load inserted, load balancing and any wash options selected.

1) Test wash cycle in compliance with directive 1061/2010: set wash cycle 2 with a temperature of 60°C.

This cycle is designed for cotton loads with a normal soil level and is the most efficient in terms of both electricity and water consumption; it should be used for garments which can be washed at 60°C. The actual washing temperature may differ from the indicated value.

2) Test wash cycle in compliance with directive 1061/2010: set wash cycle 3 with a temperature of 40°C.

This cycle is designed for cotton loads with a normal soil level and is the most efficient in terms of both electricity and water consumption; it should be used for garments which can be washed at 40°C. The actual washing temperature may differ from the indicated value.

For all Test Institutes:

2) Long wash cycle for cottons: set wash cycle 3 with a temperature of 40°C.

3) Synthetic program along: set wash cycle 4 with a temperature of 40°C.

Sport Intensive (wash cycle 12) is for washing heavily soiled sports clothing fabrics (tracksuits, shorts, etc.); for best results, we recommend not exceeding the maximum load indicated in the "Table of wash cycles".

Sport Light (wash cycle 13) is for washing lightly soiled sports clothing fabrics (tracksuits, shorts, etc.); for best results, we recommend not exceeding the maximum load indicated in the "Table of wash cycles". We recommend using a liquid detergent and dosage suitable for a half-load.

Sport Shoes (wash cycle 14) is for washing sports shoes; for best results, do not wash more than 2 pairs simultaneously.

The 20° wash cycles (20° Zone) offer effective washing performance at low temperatures, reducing electricity usage and expenditure while benefitting the environment. The 20° wash cycles meet all requirements:

Cotton Standard 20° (programme 6) ideal for lightly soiled cotton loads. The effective performance levels achieved at cold temperatures, which are comparable to washing at 40°, are guaranteed by a mechanical action which operates at varying speed, with repeated and frequent peaks.

Mix Light (programme 7) ideal for mixed loads (cotton and synthetics) with a normal soil level. The effective performance levels achieved at cold temperatures are guaranteed by a mechanical action which operates at varying speed, across set average intervals.

20' Refresh (programme 8) ideal for refreshing and washing lightly soiled garments in a few minutes. It lasts just 20 minutes and therefore saves both time and energy. It can be used to wash different types of fabrics together (except for wool and silk), with a maximum load of 1.5 kg.

Setting the temperature

Turn the TEMPERATURE knob to set the wash temperature (see *Table of wash cycles*).

The temperature may be lowered, or even set to a cold wash ❄️.

The washing machine will automatically prevent you from selecting a temperature which is higher than the maximum value set for each wash cycle.

! Exception: if the **2** programme is selected, the temperature can be increased up to a value of 90°C.

Functions

The various wash functions available with this washing machine will help to achieve the desired results, every time.

To activate the functions:

1. Press the button corresponding to the desired function;
2. the function is enabled when the corresponding indicator light is illuminated.

Note:

- If the selected function is not compatible with the programmed wash cycle, the corresponding indicator light will flash and the function will not be activated.

- If the selected function is not compatible with another function which has been selected previously, the indicator light corresponding to the first function selected will flash and only the second function will be activated; the indicator light corresponding to the enabled option will remain lit.

EcoTime

Selecting this option enables you to suitably adjust drum rotation, temperature and water to a reduced load of lightly soiled cotton and synthetic fabrics (refer to the "*Table of wash cycles*"). "EcoTime" enables you to wash in less time thereby saving water and electricity. We suggest using a liquid detergent suitably measured out to the load quantity.

Energy Saver

The ^{Energy Saver} function saves energy by not heating the water used to wash your laundry - an advantage both to the environment and to your energy bill. Instead, intensified wash action and water optimisation ensure great wash results in the same average time of a standard cycle.

For the best washing results we recommend the usage of a liquid detergent.

🌀 1000-500

Press this button to reduce the spin speed.

🕒 Delay timer

This timer delays the start time of the wash cycle by up to 12 hours.

Press the button repeatedly until the indicator light corresponding to the desired delay time switches on. The fifth time the button is pressed, the function will be disabled.

N.B. Once the START/PAUSE button has been pressed, the delay time can only be modified by decreasing it until launching the set programme.

Detergents and laundry

GB

Detergent dispenser drawer

Good washing results also depend on the correct dose of detergent: adding too much detergent will not necessarily result in a more efficient wash, and may in fact cause build up on the inside of your appliance and contribute to environmental pollution.

! Do not use hand washing detergents because these create too much foam.

! Use powder detergent for white cotton garments, for pre-washing, and for washing at temperatures over 60°C.

! Follow the instructions given on the detergent packaging.



Open the detergent dispenser drawer and pour in the detergent or washing additive, as follows.

compartment 1: Pre-wash detergent (powder)

compartment 2: Detergent for the wash cycle (powder or liquid)

Liquid detergent should only be poured in immediately prior to the start of the wash cycle.

compartment 3: Additives (fabric softeners, etc.)

The fabric softener should not overflow the grid.

Preparing the laundry

- Divide the laundry according to:
 - the type of fabric/the symbol on the label
 - the colours: separate coloured garments from whites.
- Empty all garment pockets and check the buttons.
- Do not exceed the values listed in the "Table of wash cycles", which refer to the weight of the laundry when dry.


How much does your laundry weigh?

- 1 sheet 400-500 g
- 1 pillow case 150-200 g
- 1 tablecloth 400-500 g
- 1 bathrobe 900-1200 g
- 1 towel 150-250 g

Garments requiring special care

Silk: use special wash cycle **9** to wash all silk garments. We recommend the use of special detergent which has been designed to wash delicate clothes.

Curtains: fold curtains and place them in a pillow case or mesh bag. Use wash cycle **9**.

Wool: all wool garments can be washed using programme **10**, even those carrying the "hand-wash only"  label. For best results, use special detergents and do not exceed 1 kg of laundry.

Jeans: Turn garments inside-out before washing and use a liquid detergent. Use programme **11**.

Load balancing system

Before every spin cycle, to avoid excessive vibrations and to distribute the load in a uniform manner, the drum rotates continuously at a speed which is slightly greater than the washing rotation speed. If, after several attempts, the load is not balanced correctly, the machine spins at a reduced spin speed. If the load is excessively unbalanced, the washing machine performs the distribution process instead of spinning. To encourage improved load distribution and balance, we recommend small and large garments are mixed in the load.

Your washing machine could fail to work. Before contacting the Technical Assistance Centre (see “Assistance”), make sure that the problem cannot be not solved easily using the following list.

Problem:

Possible causes / Solutions:

The washing machine does not switch on.

- The appliance is not plugged into the socket fully, or is not making contact.
- There is no power in the house.

The wash cycle does not start.

- The washing machine door is not closed properly.
- The ON/OFF button has not been pressed.
- The START/PAUSE button has not been pressed.
- The water tap has not been opened.
- A delayed start has been set (see “Personalisation”).

The washing machine does not take in water (the indicator light for the first wash cycle stage flashes rapidly).

- The water inlet hose is not connected to the tap.
- The hose is bent.
- The water tap has not been opened.
- There is no water supply in the house.
- The pressure is too low.
- The START/PAUSE button has not been pressed.

The washing machine continuously takes in and drains water.

- The drain hose is not fitted at a height between 65 and 100 cm from the floor (see “Installation”).
- The free end of the hose is under water (see “Installation”).
- The wall drainage system is not fitted with a breather pipe.

If the problem persists even after these checks, turn off the water tap, switch the appliance off and contact the Assistance Service. If the dwelling is on one of the upper floors of a building, there may be problems relating to water drainage, causing the washing machine to fill with water and drain continuously. Special anti-draining valves are available in shops and help to avoid this inconvenience.

The washing machine does not drain or spin.

- The wash cycle does not include draining: some wash cycles require the drain phase to be started manually.
- The drain hose is bent (see “Installation”).
- The drainage duct is clogged.

The washing machine vibrates a lot during the spin cycle.

- The drum was not unlocked correctly during installation (see “Installation”).
- The washing machine is not level (see “Installation”).
- The washing machine is trapped between cabinets and walls (see “Installation”).

The washing machine leaks.

- The water inlet hose is not screwed on properly (see “Installation”).
- The detergent dispenser drawer is blocked (for cleaning instructions, see “Care and maintenance”).
- The drain hose is not fixed properly (see “Installation”).

The “Functions” indicator lights and the “start/pause” indicator light flash, while one of the “phase in progress” indicator lights and the “door locked” indicator light will remain lit in a fixed manner.

- Switch off the machine and unplug it, wait for approximately 1 minute and then switch it back on again.
If the problem persists, contact the Technical Assistance Service.

There is too much foam.

- The detergent is not suitable for machine washing (it should display the text “for washing machines” or “hand and machine wash”, or the like).
- Too much detergent was used.

Service

GB

Before calling for Assistance:

- Check whether you can solve the problem alone (see "Troubleshooting");
- Restart the programme to check whether the problem has been solved;
- If this is not the case, contact an authorised Technical Assistance Centre using the telephone number provided on the guarantee certificate.

! Always request the assistance of authorised technicians.

Have the following information to hand:

- the type of problem;
- the appliance model (Mod.);
- the serial number (S/N).

This information can be found on the data plate applied to the rear of the washing machine, and can also be found on the front of the appliance by opening the door.

COMMISSION DELEGATED REGULATION (EU) No 1061/2010

| | |
|--|------------------------|
| Brand | INDESIT |
| Model | IWSB 61051 C ECO EU |
| Rated capacity in kg of cotton | 6.0 |
| Energy efficiency class on a scale from A+++ (low consumption) to G (high consumption) | A+ |
| Energy consumption per year in kWh ¹⁾ | 196.0 |
| Energy consumption of the standard 60 °C cotton programme at full load in kWh ²⁾ | 1.066 |
| Energy consumption of the standard 60 °C cotton programme at partial load in kWh ²⁾ | 0.731 |
| Energy consumption of the standard 40 °C cotton programme at partial load in kWh ²⁾ | 0.653 |
| Power consumption of the off-mode in W | 0.5 |
| Power consumption of the left-on mode in W | 8.0 |
| Water consumption per year in litres ³⁾ | 8118 |
| Spin-drying efficacy class on a scale from G (minimum efficacy) to A (maximum efficacy) | C |
| Maximum spin speed attained ⁴⁾ | 1000 |
| Remaining moisture content ⁵⁾ | 62% |
| Programme time of the "standard 60 °C cotton" at full load in minutes | 230 |
| Programme time of the "standard 60 °C cotton" at partial load in minutes | 175 |
| Programme time of the "standard 40°C cotton" at partial load in minutes | 170 |
| Duration of the left-on mode in minutes | 30 |
| Noise in dB(A) re 1 pW washing ⁶⁾ | 76 |
| Noise in dB(A) re 1 pW spinning ⁶⁾ | 60 |

¹⁾ The "standard 60°C cotton" at full and partial load and the "standard 40°C cotton" at partial load are the standard washing programmes to which the information in the label and the fiche relates. Standard 60°C cotton and standard 40°C cotton are suitable to clean normally soiled cotton laundry and are the most efficient programmes in terms of combined energy and water consumption. Partial load is half the rated load.

²⁾ Based on 220 standard washing cycles for cotton programmes at 60°C and 40°C at full and partial load, and the consumption of the low-power modes. Actual energy consumption will depend on how the appliance is used.

³⁾ Based on 220 standard washing cycles for cotton programmes at 60°C and 40°C at full and partial load. Actual water consumption will depend on how the appliance is used.

⁴⁾ For the standard 60 °C at full and partial load or the 40°C at partial whichever is lower.

⁵⁾ Attained for 60 °C cotton at full and partial load or the 40°C at partial whichever is higher.

⁶⁾ Based on washing and spinning phases for the standard 60°C cotton programme at full load.

UA

Українська

IWSB 61051

Зміст

Встановлення, 14-15

Розпакування та вирівнювання
Підключення води й електроенергії
Перший цикл прання
Технічні дані

Чищення та догляд, 16

Відключення води й електричного живлення
Очищення пральної машини
Чищення касети для пральних засобів
Догляд за люком та барабаном
Чищення насосу
Контроль труби подачі води

Заходи безпеки та поради, 17

Загальна безпека
Утилізація

Опис пральної машини та запуску програм, 18-19

Панель керування
Індикаторні лампи
Як запустити програму

Програми, 20

Таблиця програм

Налаштування під власні потреби, 21

Встановлення температури
Опції

Пральні засоби та білизна, 22

Касета для пральних засобів
Підготовка білизни
Особливі речі
Система балансування завантаження

Несправності та засоби їх усунення, 23

Допомога, 24

Встановлення

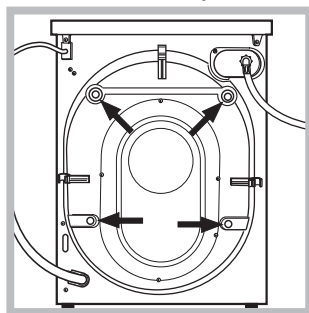
UA

! Необхідно зберігати дану брошуру, щоб мати нагоду звернутися до неї у будь-який момент. У випадку продажу, передачі іншій особі або переїзду переконайтеся, що інструкція перебуває разом із пральною машиною й новий власник може ознайомитися з її принципами роботи й відповідними запобіжними заходами. ! Уважно вивчіть інструкцію: в ній міститься важлива інформація щодо встановлення, використання та безпеки.

Розпакування та вирівнювання

Розпакування

1. Розпакування пральної машини
2. Вдоскональтеся, що машина не зазнала ушкоджень під час транспортування. Якщо вона має пошкодження, не виконуйте ніяких підключень та негайно зверніться до постачальника.



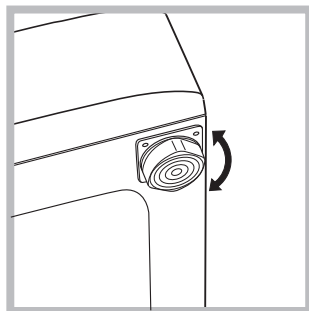
3. Видаліть 4 запобіжні гвинти для транспортування та прокладку з відповідною розпірною деталлю, які знаходяться позаду (див. малюнок).

4. Закрийте отвори пластиковими заглушками з комплекту постачання.
5. Збережіть усі деталі: якщо пральна машина має перевозитися, їх потрібно встановити знову.

! Забороняйте дітям гратися з упаковками.

Вирівнювання

1. Встановіть пральну машину на рівній та твердій підлозі, не притуляючи її до стін, меблів, тощо.

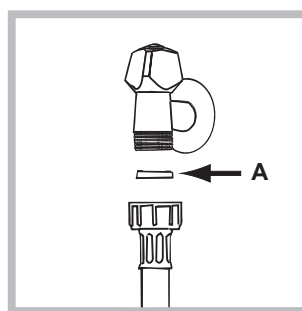


2. Якщо підлога не є ідеально горизонтальною, компенсуйте нерівності за допомогою передніх ніжок (див. малюнок) – розкручуючи чи закручуючи їх; кут нахилу відносно робочої поверхні не повинен перевищувати 2°.

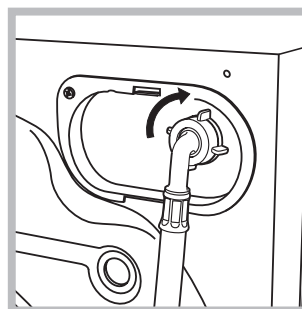
Належне вирівнювання надає стабільність машині та запобігає вібрації, шуму та пересуванню під час роботи. При встановленні машини на килимовому покритті або килимі відрегулюйте ніжки таким чином, щоб залишити під пральною машиною достатній простір для вентиляції.

Підключення води й електроенергії

Під'єднання труби подачі води



1. Вставте прокладку А у кінець шлангу для подачі води та вкрутіть його у кран з холодною водою з різьбою 3/4 (див. малюнок). Перед підключенням спустіть воду, доки вона не стане прозорою.



2. Підключіть трубу подачі води до пральної машини, прикрутивши її до роз'єму для води, який знаходиться угорі праворуч на задньому боці машини (див. малюнок).

3. Зверніть увагу, щоб труба не мала згинів та утисків.

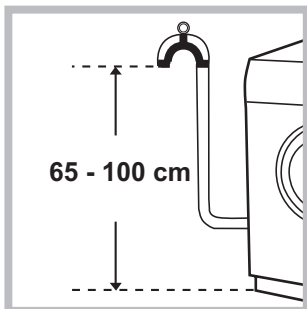
! Тиск води в крані має відповідати значенням у таблиці Технічних даних (див. сторінку поруч).

! Якщо довжини труби подачі води не вистачає, зверніться у спеціалізовану крамницю або до уповноваженого фахівця.

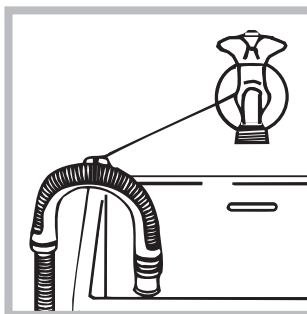
! Не використовуйте ніколи труби, що вже були у користуванні.

! Використовуйте труби з комплекту постачання до машини.

Підключення зливного шланга



Підключіть зливний шланг, не згинаючи його, до каналізаційного каналу або до входу до такого каналу на стіні, на відстані від 65 до 100 см від підлоги;



Або ж встановіть вихід зливного шланга на край рукомийника або ванни, поєднавши на прямую (придбати яку можна у сервісному центрі) до крану (див. малюнок). Не залишайте вільний

кінець зливного шланга зануреним у воду.

! Використання подовжувача шланга не рекомендоване. В разі необхідності використання подовжувача шлангу, переконайтеся у тому, що він має той самий діаметр та його довжина не перевищує 150 см.

Електричні підключення

Перш ніж вставити вилку в електричну розетку, переконайтеся, що:

- розетка має заземлення у відповідності до встановлених норм;
- розетка розрахована на максимальне навантаження у межах потужності машини, зазначене у таблиці Технічних даних (див. малюнок поруч);
- напруга живлення перебуває у межах, зазначених у таблиці Технічних даних (див. малюнок поруч);
- розетка підходить до вилки пральної машини. В іншому випадку замініть розетку або вилку.

! Машину не можна встановлювати поза приміщенням, навіть в захищених місцях, тому що дуже небезпечно піддавати її впливу дощу і грози.

! Коли машину вже встановлено, забезпечте вільний доступ до електричної розетки.

! Не використовуйте подовжувачі й трійники.

! Шнур живлення не повинен мати згинів або утисків.

! Проводити заміну шнуру живлення можуть тільки вповноважені фахівці.

Увага! Компанія знімає з себе відповідальність за умови недотримання вказаних норм.

Перший цикл прання

Після встановлення та перш ніж розпочати використання машини, виконайте цикл прання з пральним засобом але не завантажуючи білизну, встановивши програму 2.

| Технічні дані | |
|---|---|
| Модель | IWSB 61051 |
| Розміри | ширина 59,5 см висота 85 см глибина 40 см |
| Кількість білизни | від 1 до 6 кг |
| Електричні підключення | див. шильдік з технічними даними на машині |
| Водопровідні підключення | максимальний тиск 1 мПа (10 бар) мінімальний тиск 0,05 мПа (0,5 бар) об'єм баку – 40 літри |
| Швидкість центрифуги | до 1000 обертів на хвилину |
| Програми контролю згідно з нормою 1061/2010 1015/2010 | програма 2; Біла бавовна 60°C. програма 3; Біла бавовна 40°C. |
|   | Цей прилад відповідає таким європейським директивам: - EMC 2014/30/EU (Електромагнітна сумісність) - 2012/19/EU - (WEEE) - LVD 2014/35/EU (Низька напруга) |

Догляд та очищення

UA

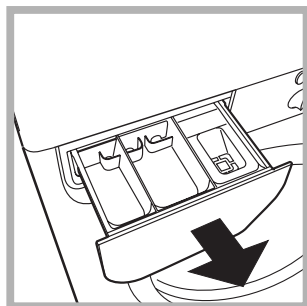
Відключення води й електричного живлення

- Закривайте водопровідний кран після кожного прання. У такий спосіб зменшується знос гідравлічної частини машини й усувається небезпека протікання.
- Виймайте штепсель з розетки під час миття машини та під час робіт з технічного обслуговування.

Очищення пральної машини

Зовнішня частина і гумові деталі можуть митися тканиною, змоченою у теплій воді й милі. Не використовуйте розчинники або абразивні засоби.

Чищення касети для пральних засобів



Вийміть касету, піднявши її та витягнувши назовні (див. малюнок). Промийте її під проточною водою; ця процедура має проводитися регулярно.

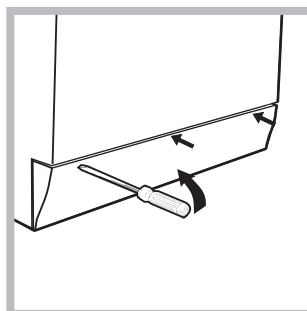
Догляд за люком та барабаном

- Завжди залишайте люк напіввідкритим для запобігання утворенню неприємних запахів.

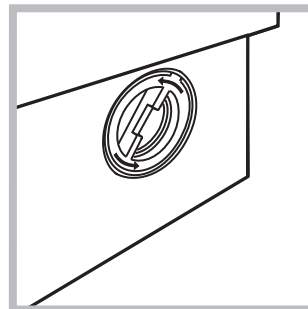
Чищення насосу

Пральну машину обладнано насосом, який здатний сам очищатися та не вимагає технічного обслуговування. Може трапитися так, що дрібні речі (монети, гудзики) потраплять до попередньої камери, яка захищає насос та розташована в його нижній частині.

! Переконайтеся у тому, що цикл прання закінчено, і витягніть штепсель з розетки. Як дістатися до попередньої камери:



1. зніміть зовнішню панель на передньому боці пральної машини за допомогою викрутки (див. малюнок);



2. розгвинтіть кришку, обертаючи її проти годинникової стрілки (див. малюнок): витікання незначної кількості води є нормальним;

3. акуратно очистіть всередині;
4. знову накрутіть кришку;
5. встановіть панель на місце, пересвідчіться у тому, що гачки були вставлені у відповідні петлі, після чого притисніть її до машини.

Контроль труби подачі води

Перевіряйте трубу подачі води не менше одного разу на рік. Якщо на ній є тріщини та щілини, вона підлягає заміні: під час прання сильний тиск може викликати непередбачені розриви.

! Ніколи не використовуйте уживані труби.

! Машину була спроектовано і вироблено у відповідності з міжнародними нормами безпеки. Це попередження надаються задля вашої безпеки, і тому їх треба уважно прочитати.

Загальна безпека

- Даний прилад спроектований виключно для побутового використання.
- Дозволяється користування цим приладом дітьми віком від 8 років, а також особами з обмеженими фізичними, сенсорними або розумовими можливостями або особами без належного досвіду і знань, якщо вони перебувають під постійним контролем або проінструктовані щодо правил з небезпечного використання приладу і усвідомлюють ступені ризику. Не дозволяйте дітям гратися з приладом. Операції з очищення і догляду не повинні виконуватися дітьми без належного контролю.
- Не торкайтеся до машини голими ногами або мокрими чи вологими руками й ногами.
- Не виймайте штепсель з електричної розетки, витягуючи його за шнур, тримайтеся тільки за самий штепсель.
- Не відкривайте касету з пральними засобами під час роботи машини.
- Не торкайтеся води, що зливається, вона може мати підвищену температуру.
- У жодному випадку не докладайте надмірних зусиль до люку: це може ушкодити запобіжний механізм проти випадкових відкривань.
- Якщо машина не працює у разі поломки, у жодному випадку не робіть спроб самостійно виконати ремонт внутрішніх механізмів.
- Завжди слідкуйте, щоб діти не наближалися до працюючої машини.
- Під час прання люк нагріватиметься.
- Пересування машини має здійснюватися двома або трьома особами за умови надзвичайної обережності. Ніколи не переміщуйте машину самотужки, тому що вона дуже важка.
- Перш ніж завантажити білизну, перевірте, щоб барабан був порожній.

Утилізація

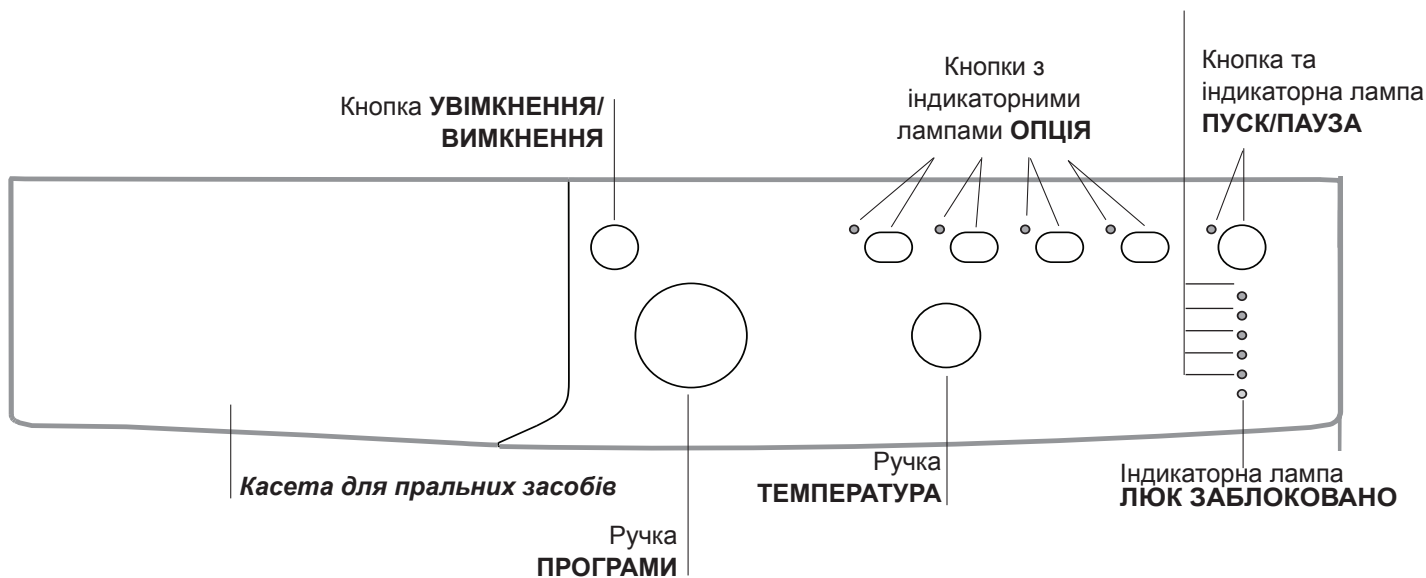
- Утилізація пакувального матеріалу: додержуйтесь місцевих норм, так як пакування може бути використане повторно.
- Європейська директива 2012/19/EU з відходів електричної й електронної апаратури передбачає, що побутові електроприлади не можуть перероблятися у звичайному порядку для твердих міських відходів.

Відпрацьовані побутові прилади мають збиратися окремо для оптимізації відновлення та рециклу матеріалів, що входять до їхнього складу, та з метою усунення потенційної шкоди для здоров'я та довкілля. Символ перекресленого кошика, зображений на всіх виробках, нагадує про необхідність окремої утилізації. Для подальшої інформації щодо правильної утилізації побутової техніки, їхні власники можуть звернутися до відповідних міських служб або до постачальника.

Опис пральної машини та процедури із запуску програм

Панель керування

ІНДИКАТОРНІ ЛАМПИ УВІМКНЕННЯ ЦИКЛУ/ ВІДСТРОЧЕНОГО ПУСКУ



Касета з пральним засобом: для завантаження пральних засобів та засобів догляду (див. “Пральні засоби та білизна”).

Кнопка УВІМКНЕННЯ/ВИМКНЕННЯ: для увімкнення й вимкнення пральної машини

Ручка ПРОГРАМИ: для задання бажаних програм. Під час програми ручка залишається нерухомою.

Кнопки та індикаторні лампи ОПЦІЯ: для вибору наявних опцій. Індикаторна лампа обраної опції залишається увімкненою.

Ручка ТЕМПЕРАТУРА: для установки температури або холодного прання (див. “Налаштування під власні потреби”).


ІНДИКАТОРНІ ЛАМПИ УВІМКНЕННЯ ЦИКЛУ/ ВІДСТРОЧЕНОГО ПУСКУ: для спостереження за станом програми прання.

Увімкнена індикаторна лампа вказує на активовану фазу.

При заданні опції “Відстрочений пуск” відображається час, який залишився до запуску програми (див. сторінку поруч).

Індикаторна лампа ЛЮК ЗАБЛОКОВАНО: для перевірки того, чи люк може відкриватись (див. сторінку поруч).

Кнопка та індикаторна лампа ПУСК/ПАУЗА: для запуску програм або для їх тимчасового переривання.

Увага: щоб установити в режим паузи поточне прання, натисніть на цю кнопку, відповідна кнопка почне блимати помаранчевим кольором, в той час як індикаторна лампа поточної фази світлитиметься постійним світлом. Якщо індикаторна лампа ЛЮК ЗАБЛОКОВАНО  згасне, можна відкривати люк для завантаження білизни (Приблизно через 3 хвилини). Щоб продовжити прання з місця, де воно було перервано, знову натисніть на цю кнопку.

Режим очікування

Відповідно до норм, пов'язаних з заощадження енергії, цю пральну машину оснащено системою автовимкнення (stand by), яка активується через 30 секунд відсутності роботи з боку машини. Швидко натисніть кнопку УВІМКНЕННЯ/ВИМКНЕННЯ та зачекайте відновлення роботи машини.

Індикаторні лампи

Індикаторні лампи надають важливу інформацію. От на що вони вказують:

Відстрочений пуск

Якщо активовано опцію "Відстрочений пуск" (див. "Налаштування під власні потреби"), тоді після запуску програми розпочне блимати індикаторна лампа, пов'язана з відстрочкою, яку було задано:

3h 

6h 

9h 

12h 

Протягом усього часу шляхом блимання відповідної індикаторної лампи відображається час відстрочення, який залишився до запуску:

3h 

6h 

9h 

12h 

Після завершення вибраного часу відстрочки розпочнеться задана програма.

Індикаторні лампи поточних операцій


Після обрання та запуску бажаного циклу прання індикаторні лампи вмикаються по черзі, щоб вказати на стан програми:

Прання 

Полоскання 

Віджим 

Злив 

Кінець прання 

Кнопки опцій та відповідні індикаторні лампи

Після вибору опції відповідна індикаторна лампа починає світитися.


Якщо вибрана опція несумісна з заданою програмою, індикаторна лампа почне блимати й опція не активується.

Якщо вибрана опція не є сумісною з іншою, раніше вибраною, індикаторна лампа попередньої функції почне блимати, при цьому буде активовано тільки останню опцію, засвітиться індикаторна лампа активованої опції.

Індикаторна лампа ЛЮК ЗАБЛОКОВАНО

Увімкнена індикаторна лампа вказує на те, що люк заблокований; відкривати люк можна лише коли ця лампа не світиться (Приблизно через 3 хвилини). Щоб відкрити люк під час виконання циклу, натисніть кнопку ПУСК/ПАУЗА; якщо індикаторна лампа ЛЮК ЗАБЛОКОВАНО згасла, це означає, що можна відкрити люк.

Як запуснути програму

1. Увімкніть пральну машину, натиснувши на кнопку УВІМКНЕННЯ/ВИМКНЕННЯ. Усі індикаторні лампи увімкнуться на декілька секунд, потім згаснуть та почне блимати індикаторна лампа ПУСК/ПАУЗА
2. Завантажте білизну й закрийте люк.
3. Встановіть за допомогою ручки ПРОГРАМ бажану програму.
4. Встановіть температуру прання (див. "Налаштування під власні потреби").
5. Додайте пральні засоби та засоби догляду (див. "Пральні засоби та білизна").
6. Виберіть бажані опції.
7. Запустіть програму, натиснувши кнопку ПУСК/ПАУЗА й відповідна індикаторна лампа загориться зеленим світлом. Для скасування заданого циклу встановіть машину в режим паузи, натиснувши кнопку ПУСК/ПАУЗА, та оберіть новий цикл.
8. Наприкінці програми почне світитися індикаторна лампа "END". Якщо індикаторна лампа ЛЮК ЗАБЛОКОВАНО  згасне, можна відкривати люк для завантаження білизни (Приблизно через 3 хвилини). Вийміть білизну та залиште люк напіввідкритим, щоб висушити барабан. Вимкніть пральну машину, натиснувши на кнопку УВІМКНЕННЯ/ВИМКНЕННЯ.

Програми

Таблиця програм

| Програми | Опис програми | Макс. темп. (°C) | Макс. швидкість (обертів за хвилину) | Пральний засіб | | | Макс. завантаження (кг) | Остаточна вологість | Споживання електроенергії | Загальна кількість води | Тривалість циклу |
|-----------------------------|--|------------------|--------------------------------------|------------------|--------|-------------|-------------------------|---------------------|---------------------------|-------------------------|------------------|
| | | | | Попереднє прання | Прання | Пом'якшувач | | | | | |
| Щоденні (Daily) | | | | | | | | | | | |
| 1 | Бавовна з попереднім пранням: білі надзвичайно забруднені. | 90° | 1000 | ● | ● | ● | 6 | 62 | 1,81 | 65 | 150' |
| 2 | Бавовна (1): білі та кольорові міцні сильно забруднені. | 60° (Max. 90°) | 1000 | - | ● | ● | 6 | 62 | 1,04 | 48,0 | 205' |
| 3 | Бавовна (2): білі та кольорові делікатні слабо забруднені. | 40° | 1000 | - | ● | ● | 6 | 62 | 1,03 | 65 | 190' |
| 4 | Синтетичні: кольорові міцні тканини дуже забруднені | 60° | 800 | - | ● | ● | 3 | 44 | 0,70 | 40 | 105' |
| 4 | Синтетичні (3): кольорові міцні тканини дуже забруднені | 40° | 800 | - | ● | ● | 3 | 44 | 0,47 | 38 | 95' |
| 5 | Бавовна кольорові: слабо забруднені та кольорові делікатні. | 40° | 1000 | - | ● | ● | 6 | 62 | 0,64 | 50 | 85' |
| 20° Zone | | | | | | | | | | | |
| 6 | Бавовна: білі та кольорові делікатні слабо забруднені. | 20° | 1000 | - | ● | ● | 6 | - | - | - | 170' |
| 7 | Mix Light | 20° | 800 | - | ● | ● | 6 | - | - | - | 120' |
| 8 | 20' Refresh | 20° | 800 | - | ● | ● | 1,5 | - | - | - | 20' |
| Спеціальні (Special) | | | | | | | | | | | |
| 9 | Шовк/Штори: Для речей з шовку, віскози, нижньої білизни. | 30° | 0 | - | ● | ● | 1 | - | - | - | 55' |
| 10 | Вовна: Для вовни, кашеміру, тощо. | 40° | 800 | - | ● | ● | 1 | - | - | - | 65' |
| 11 | Jeans | 40° | 800 | - | ● | ● | 2,5 | - | - | - | 70' |
| Спорт | | | | | | | | | | | |
| 12 | Sport Intensive | 30° | 600 | - | ● | ● | 2,5 | - | - | - | 85' |
| 13 | Sport Light | 30° | 600 | - | ● | ● | 2,5 | - | - | - | 60' |
| 14 | Sport Shoes | 30° | 600 | - | ● | ● | Макс 2 пари | - | - | - | 55' |
| Неповні | | | | | | | | | | | |
| | Полоскання | - | 1000 | - | - | ● | 6 | - | - | - | 36' |
| | Віджимання + Зливання | - | 1000 | - | - | - | 6 | - | - | - | 16' |

Тривалість циклу, вказана на дисплеї або в керівництві, розрахована на основі стандартних умов роботи. Фактичний час може залежати від чисельних факторів, таких як температура і тиск подаваної води, температура у приміщенні, кількість миючого засобу, кількість і тип завантаженої білизни, зрівноваження завантаженої білизни, додаткові обрані опції.

1) Програма керування згідно до норми 1061/2010: встановити програму 2 з температурою 60°C.

Цей цикл призначений для прання бавовняних речей із звичайним ступенем забруднення. Ефективність циклу підвищується завдяки комбінованому споживанню енергії та води. Він має використовуватися для речей, які придатні для прання при температурі 60°C. Фактична температура прання може дещо відрізнятися від заявленої.

2) Довга програма бавовна: встановити програму 3 з температурою 40°C.

Цей цикл призначений для прання бавовняних речей із звичайним ступенем забруднення. Ефективність циклу підвищується завдяки комбінованому споживанню енергії та води. Він має використовуватися для речей, які придатні для прання при температурі 40°C. Фактична температура прання може дещо відрізнятися від заявленої.

Для всіх Установ з проведення випробувань:

2) Програма тривалого прання речей з бавовни: встановити програму 3 з температурою 40°C.

3) Програма тривалого прання синтетичних речей: встановити програму 4 з температурою 40°C.

Sport Intensive (програма 12) розрахована для прання сильно забрудненого спортивного одягу (спортивні костюми, шкарпетки, тощо); для отримання найкращих результатів не перевищуйте максимальне завантаження, зазначене у "Таблиці програм".

Sport Light (програма 13) розрахована для прання не дуже забрудненого спортивного одягу (спортивні костюми, шкарпетки, тощо); для отримання найкращих результатів не перевищуйте максимальне завантаження, зазначене у "Таблиці програм".

Використовуйте рідкий пральний засіб та відміряйте дозу для половинного завантаження.

Sport Shoes (програма 14) розрахована для прання спортивного взуття; для отримання найкращих результатів не завантажуйте більше 2 пар взуття.

Програми 20° (20° Zone) забезпечують добре прання при низьких температурах з меншим використанням електричної енергії, що призводить до енергозаощадження і позитивного впливу на довкілля. Програми 20° відповідають усім вимогам:

Бавовна 20° (програма 6) ідеальна для бавовняних забруднених речей. Добре прання, в тому числі у холодній воді, яке можна порівняти з пранням при 40°, гарантується механічною роботою, яка здійснюється на змінній швидкості із частими повторюваними піками.

Mix Light (програма 7) ідеальна для змішаних речей (бавовняних і синтетичних) із середнім ступенем забруднення. Добре прання, в тому числі у холодній воді, яке можна порівняти з пранням при 40°, гарантується механічною роботою, яка здійснюється на змінній швидкості із середніми і чітко визначеними інтервалами.

20' Refresh (програма 8) ідеальний цикл для освіжання е прання злегка забруднених речей за декілька хвилин. Її тривалість складає лише 20 хвилин, що заощаджує енергоспоживання та час. Можна випрати разом тканини різноманітної структури (за винятком вовни та шовку) при максимальному завантаженні у 1,5 кг.

Встановлення температури

Обертаючи ручку ТЕМПЕРАТУРИ, ви можете задати температуру прання (див. *Таблицю програм*).

Ви можете знижувати температуру аж до прання в холодній воді (❄).

Машина перешкоджатиме встановленню температури, яка перевищує максимально дозволена для кожної конкретної програми.

Опції

Різноманітні опції прання, передбачені у пральній машині, дозволяють отримати бажану чистоту та білизну ваших речей.

Для активації опцій:

1. натисніть на кнопку бажаної опції;
2. запалення відповідної індикаторної лампи вказує на те, що опцію активовано.

Примітка:

- Якщо вибрана опція несумісна з заданою програмою, індикаторна лампа почне блимати й опція не активується.
- Якщо вибрана опція не є сумісною з іншою, раніше вибраною, індикаторна лампа попередньої функції почне блимати, при цьому буде активовано тільки останню опцію, засвітиться індикаторна лампа активованої опції.

EcoTime

При виборі цієї опції механічний рух, температура та вода оптимізуються під неповне завантаження слабко забруднених бавовни та синтетичних тканин (див. *“Таблицю програм”*).

За допомогою “EcoTime” можна здійснити прання у скорочений час, заощаджуючи воду та енергію.

Рекомендується застосовувати рідкий засіб для прання, дозуючи його залежно від завантаження.

Energy Saver

Функція Energy Saver сприяє енергозбереженню, тому що не відбувається нагрівання води для прання – користь для довкілля і для користувача завдяки зменшеному рахунку за електроенергію. Дійсно, посилена дія й оптимізоване споживання води гарантують добрі результати, при цьому тривалість дорівнюватиме часу стандартного циклу. Щоб отримати найкращі результати прання, рекомендується вживати рідкий засіб.

1000-500

При натисканні на цю кнопку зменшується швидкість віджиму.

Відстрочений пуск

Відстрочує пуск машини до 12 годин включно.

Натисніть декілька разів на кнопку, доки на запалиться індикаторна лампа бажаного відстрочення. При п'ятому натисканні на кнопку опція скасовується.

Увага: Після натискання кнопки ПУСК/ПАУЗА ви можете змінити значення відстрочення, тільки зменшуючи його, аж доки не запустите задану програму.

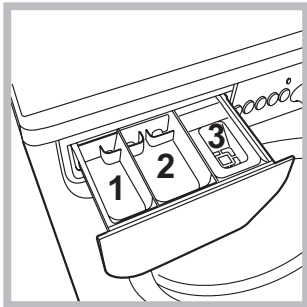
Пральні засоби та білизна

UA

Касета з пральним засобом

Добрий результат прання залежить також від правильного дозування прального засобу: надлишок прального засобу приведе до неефективного прання та сприятиме утворенню накипу всередині пральної машини, а також забрудненню довікілля.

! Не використовуйте засоби для ручного прання, тому що вони утворюють надто багато піни.



Витягніть касету для пральних засобів та додайте пральні засоби або засоби з догляду, як вказано нижче.

ванночка 1: Засіб для попереднього прання (порошковий)

ванночка 2: Засіб для прання (порошковий чи рідкий)

Рідкий пральний засіб наливайте безпосередньо перед запуском машини.

ванночка 3: Засоби з догляду (пом'якшувач, тощо)

Пом'якшувач не має витікати з решітки.

Підготовка білизни

- Розділіть білизну, враховуючи:
 - тип тканини / позначку на етикетці.
 - кольори: відокремте кольорові речі від білих.
- Перевірте кишені й гудзики.
- Не перевищуйте значення, вказані у "Таблиця програм", що відносяться до ваги сухої білизни.


Скільки важить білизна?

- 1 простирadlo 400-500 г
- 1 наволочка 150-200 г
- 1 скатертина 400-500 г
- 1 махровий халат 900-1200 г
- 1 рушник 150-250 г

Особливі речі

Шовк: використовуйте спеціальну програму **9** для прання шовкових речей. Рекомендується використання спеціального прального засобу для делікатних виробів.

Штори: рекомендується скласти й покласти у наволочку або мішечок з сітки. Скористайтеся програмою **9**.

Вовна: за допомогою програми **10** можна прати у пральній машині всі вироби із вовни, навіть ті, що мають ярлик "тільки ручне прання" . Щоб отримати кращі результати, використовуйте спеціальний пральний засіб та не перевищуйте завантаження в 1 кг.

Jeans: виверніть навиворіт речі ще до завантаження та скористайтеся рідким засобом для прання. Скористайтеся програмою **11**.

Система балансування завантаження

До кожного віджиму у центрифугі, для запобігання надмірній вібрації та для рівномірного розподілу завантаження, барабан здійснює оберт на дещо більшій швидкості, ніж швидкість прання. Якщо по закінченні декількох спроб завантажені речі ще не були правильно відбалансовані, запустить центрифугу на швидкості, меншій за передбачену. У випадку надмірної незбалансованості пральна машина здійснює розподіл завантаження та його правильного балансування рекомендується одночасне прання великих і малих речей.

Може так статися, що пральна машина не працюватиме. Перш ніж зателефонувати до служби Допомоги (див. "Допомога"), перевірте можливість легкого усунення проблеми за допомогою наступного списку.

Несправності:

Пральна машина не вмикається.

Цикл прання не розпочинається.

Пральна машина не завантажує воду (швидко блимає індикаторна лампа першої фази прання).

Пральна машина безперервно завантажує та зливає воду.

Пральна машина не зливає воду або не вмикає центрифугу.

Пральна машина дуже вібрує під час роботи центрифуги.

З пральної машини витікає вода.

Світлодіоди "опцій" та "ПУСК/ПАУЗА" блимають, один зі світлодіодів "поточної фази" та "ЛЮК ЗАБЛОКОВАНО" світитиметься постійно.

Утворюється занадто багато піни.

Можливі причини/Рішення:

- Штепсель не вставлений в електричну розетку або вставлений не до кінця.
- У будинку немає електроенергії.
- Люк погано закрито.
- Кнопку УВІМКЕННЯ/ВИМКЕННЯ не було натиснуто.
- Кнопку ПУСК/ПАУЗА не було натиснуто.
- Водопровідний кран закритий.
- Якщо відстрочення задане на час запуску (ВІДСТРОЧЕНИЙ ПУСК див. "Налаштування під власні потреби").
- Трубу подачі води не під'єднано до водопровідного крану.
- Перегин у трубі.
- Водопровідний кран закритий.
- У водопроводі немає води.
- Недостатній тиск.
- Кнопку ПУСК/ПАУЗА не було натиснуто.
- Зливний шланг не знаходиться на відстані від 65 до 100 см від підлоги (див. "Встановлення").
- Кінець зливного шланга занурений у воду (див. "Встановлення").
- Стінний каналізаційний злив не має віддушини для виходу повітря (вантуза). Якщо після таких перевірок проблема залишається, закрийте водопровідний кран, вимкніть машину і зателефонуйте до служби Допомоги. Якщо квартира знаходиться на верхніх поверхах будинку, можливо, відбувається сифонний ефект, при якому машина безперервно завантажує й зливає воду. Щоб його ліквідувати, існують спеціальні антисифонні клапани, які можна придбати у торговельній мережі.
- Програма не передбачає зливання води: у деяких програмах це потрібно зробити вручну.
- Перегин зливного шланга (див. "Встановлення").
- Засмітився зливний шланг.
- Барабан, у момент встановлення, не був правильно розблокований (див. "Встановлення").
- Машина стоїть не на рівній поверхні (див. "Встановлення").
- Машину затиснуто між меблями і стіною (див. "Встановлення").
- Погано пригвинчено трубу подачі води (див. "Встановлення").
- Забруднена касета для пральних засобів (як вимити див. "Догляд та очищення").
- Погано закріплений зливний шланг (див. "Встановлення").
- Вимкніть машину й витягніть штепсель з розетки, зачекайте близько 1 хвилини й увімкніть її повторно. Якщо несправність не усунена, зателефонуйте до служби Допомоги.
- Пральний засіб не підходить до пральної машини (повинен мати напис "для машинного прання", "для ручного та машинного прання" або подібні).
- Перевищена доза прального засобу.

Допомога

UA

Перш ніж звернутися по Допомогу:

- Перевірте, чи можна самостійно вирішити проблему (див. "Несправності і засоби їх усунення").
- Перезапустіть програму, щоб перевірити, чи усунено несправність;
- У протилежному випадку, зверніться до авторизованої служби технічної Допомоги за телефонним номером, вказаним на гарантійному сертифікаті.

! Звертайтеся виключно до уповноважених фахівців.

Треба повідомити:

- тип несправності;
- модель машини (Мод.);
- серійний номер (S/N).

Цю інформацію ви знайдете на шильдику на задній стороні пральної машини та на передній стороні, якщо відкрити люк.

| COMMISSION DELEGATED REGULATION (EU) No 1061/2010 | |
|--|------------------------|
| Торговельна марка | INDESIT |
| Модель | IWSB 61051 C ECO EU |
| Номінальна завантаженість для стандартної програми прання бавовни, кг | 6 |
| Клас енергоефективності | A+ |
| Середньозважений річний обсяг енергоспоживання, кВт/г на рік ¹⁾ | 196 |
| Обсяг споживання електроенергії при стандартній програмі "Бавовна 60°C" при повному завантаженні, кВт ²⁾ | 1.066 |
| Обсяг споживання електроенергії при стандартній програмі "Бавовна 60°C" при частковому завантаженні, кВт ²⁾ | 0.731 |
| Обсяг споживання електроенергії при стандартній програмі "Бавовна 40°C" при частковому завантаженні, кВт ²⁾ | 0.653 |
| Середньозважена споживча потужність в режимі "вимкнено", Вт | 0.5 |
| Середньозважена споживча потужність в режимі очікування, Вт | 8 |
| Середньозважений річний обсяг споживання води, літрів на рік ³⁾ | 8118 |
| клас ефективності віджимання за шкалою від G (найменш ефективний) до A (найбільш ефективний) | C |
| Максимальна швидкість обертів барабана ⁴⁾ | 1000 |
| Залишковий вміст вологи ⁵⁾ | 62.0% |
| Час виконання стандартної програми "Бавовна 60°C" при повному завантаженні, хвилин | 230 |
| Час виконання стандартної програми "Бавовна 60°C" при частковому завантаженні, хвилин | 175 |
| Час виконання стандартної програми "Бавовна 40°C" при частковому завантаженні, хвилин | 170 |
| Тривалість режиму очікування, хвилин | 30 |
| Рівень акустичного поширення шуму в повітрі під час прання, 1 пВт, дБА ⁶⁾ | 60 |
| Рівень акустичного поширення шуму в повітрі під час віджимання, 1 пВт, дБА ⁶⁾ | 76 |
| Вбудовані моделі | |

¹⁾ З урахуванням 220 стандартних циклів прання для програми прання бавовни при температурі 60 і 40° C при повному та частковому завантаженні (фактичне споживання води залежить від використання побутової пральної машини)

²⁾ Стандартні цикли прання "Бавовна 60°C" при повному або частковому завантаженні, та стандартний цикл прання "Бавовна 40°C" при частковому завантаженні є стандартними програмами прання, яких стосується інформація на етикетці. Стандартна програма прання бавовни при температурі 60 і 40° C є програмою для прання, очищення звичайно забрудненої бавовни і найбільш ефективною для споживання енергії та води. Часткове завантаження становить половину номінального завантаження.

³⁾ З урахуванням 220 стандартних циклів прання для програми прання бавовни при температурі 60 і 40° C при повному та частковому завантаженні (фактичне споживання води залежить від використання побутової пральної машини).

⁴⁾ визначається як мінімальна у результаті порівняння швидкості обертів барабана під час прання при температурі 60°C при повному завантаженні та температурі 40°C при частковому завантаженні;

⁵⁾ визначається як максимальний у результаті порівняння залишкового вмісту вологи під час прання при температурі 60° C при повному завантаженні та температурі 40° C при частковому завантаженні

⁶⁾ На підставі прання та віджимання для стандартного цикла "Бавовна 60°C" при повному завантаженні.

ТОВ «Індезіт Україна»
Україна, 01001, м. Київ,
пров. Музейний, 4

CZ

Česky

IWSB 61051

Obsah

Instalace, 26-27

Rozbalení a vyrovnání do vodorovné polohy
Připojení k elektrické a k vodovodní síti
První prací cyklus
Technické údaje

Údržba a péče, 28

Uzavření přívodu vody a vypnutí elektrického napájení
Čištění pračky
Čištění dávkovače pracích prostředků
Péče o dvířka a buben
Čištění čerpadla
Kontrola přítokové hadice na vodu

Opatření a rady, 29

Základní bezpečnostní pokyny
Likvidace

Popis pračky a zahájení pracího programu, 30-31

Ovládací panel
Kontrolky
Zahájení pracího programu

Prací programy, 32

Tabulka pracích programů

Uživatelská nastavení, 33

Nastavení teploty
Funkce

Prací prostředky a prádlo, 34

Dávkovač pracích prostředků
Příprava prádla
Oděvy vyžadující zvláštní péči
Systém automatického vyvážení náplně

Poruchy a způsob jejich odstranění, 35

Servisní služba, 36

Instalace

CZ

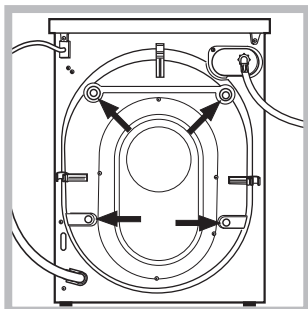
! Je důležité uschovat tento návod tak, abyste jej mohli kdykoli konzultovat. V případě prodeje, darování nebo přestěhování pračky se ujistěte, že zůstane uložen v blízkosti pračky, aby mohl posloužit novému majiteli při seznámení s její činností a s příslušnými upozorněními.

! Pozorně si přečtěte uvedené pokyny: obsahují důležité informace týkající se instalace, použití a bezpečnosti při práci.

Rozbalení a vyrovnaní do vodorovné polohy

Rozbalení

1. Rozbalte pračku.
2. Zkontrolujte, zda během přepravy nedošlo k jejímu poškození. V případě, že je poškozena, ji nezapojujte a obraťte se na prodejce.



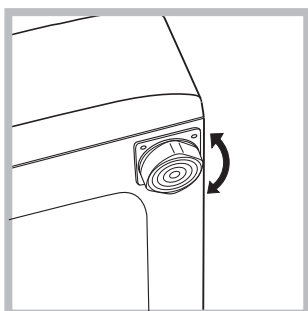
3. Odstraňte 4 šrouby chránící před poškozením během přepravy a gumovou podložku s příslušnou rozpěrkou, které se nacházejí v zadní části (viz obrázek).

4. Uzavřete otvory po šroubech plastovými krytkami z příslušenství.
5. Uschovejte všechny díly: v případě opětovné přepravy pračky je bude třeba namontovat zpět.

! Obaly nejsou hračky pro děti!

Vyrovnaní do vodorovné polohy

1. Pračku je třeba umístit na rovnou a pevnou podlahu, aniž by se opírala o stěnu, nábytek či něco jiného.



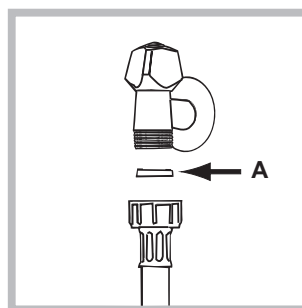
2. V případě, že podlaha není dokonale vodorovná, mohou být případné rozdíly vykompenzovány šroubováním

předních nožek (viz obrázek); Úhel sklonu, naměřený na pracovní ploše, nesmí přesáhnout 2°.

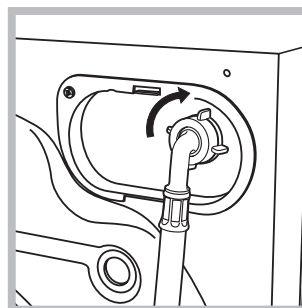
Dokonalé vyrovnaní do vodorovné polohy zabezpečí stabilitu zařízení a zamezí vzniku vibrací a hluku během činnosti. V případě instalace na podlahovou krytinu nebo na koberec nastavte nožky tak, aby pod pračkou zůstal dostatečný volný prostor pro ventilaci.

Připojení k elektrické a k vodovodní síti

Připojení přítokové hadice vody



1. Vložte těsnění A do koncové části přítokové hadice a připevněte ji k uzávěru studené vody se závitěm 3/4" (viz obrázek). Před připojením hadice nechte vodu odtéci, dokud nebude průzračná.



2. Připojte přítokovou hadici k pračce prostřednictvím příslušné přípojky na vodu, umístěné vpravo nahoře (viz obrázek).

3. Dbejte na to, aby hadice nebyla příliš ohnutá ani stlačená.

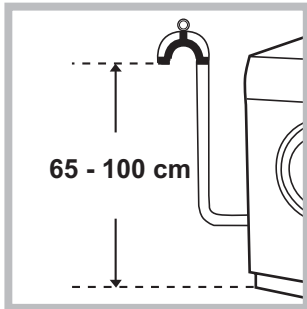
! Tlak v rozvodu vody se musí pohybovat v rozmezí hodnot uvedených v tabulce s technickými údaji (viz vedlejší strana).

! V případě, že délka přítokové hadice nebude dostatečná, obraťte se na specializovanou prodejnu nebo na autorizovaný technický personál.

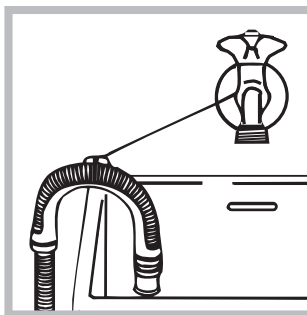
! Nikdy nepoužívejte již použité hadice.

! Používejte hadice z příslušenství zařízení.

Připojení vypouštěcí hadice



Připojte vypouštěcí hadici, aniž byste ji ohýbali, k odpadovému potrubí nebo k odpadu ve stěně, který se nachází od 65 do 100 cm nad zemí;



Nebo ji zachyťte k okraji umývadla či vany přivázáním vedení (lze jej zakoupit u servisní služby) ke kohoutku (viz obrázek). Volný konec vypouštěcí hadice nesmí zůstat ponořený do vody.

! Použití prodlužovacích hadic se nedoporučuje; je-li však nezbytné, prodlužovací hadice musí mít stejný průměr jako originální hadice a její délka nesmí přesáhnout 150 cm.

Připojení k elektrické síti

Před zasunutím zástrčky do zásuvky se ujistěte, že:

- Je zásuvka uzemněna a že vyhovuje normám;
- je zásuvka schopna snést maximální zátěž odpovídající jmenovitému příkonu zařízení, uvedenému v tabulce s technickými údaji (viz vedle);
- hodnota napájecího napětí odpovídá údajům uvedeným v tabulce s technickými údaji (viz vedle);
- je zásuvka kompatibilní se zástrčkou pračky. V opačném případě je třeba vyměnit zásuvku nebo zástrčku.

! Pračka nesmí být umístěna venku – pod širým nebem, a to ani v případě, že by se jednalo o místo chráněné před nepřízní počasí, protože je velmi nebezpečné vystavit ji působení deště a bouří.

! Po definitivní instalaci pračky musí zásuvka zůstat snadno přístupná.

! Nepoužívejte prodlužovací kabely a rozvodky.

! Kabel nesmí být ohnutý ani stlačený.

! Výměna kabelu musí být svěřena výhradně autorizovanému technickému personálu.

Upozornění! Výrobce neponese žádnou odpovědnost za následky nerespektování uvedených předpisů.

První prací cyklus

Po instalaci zařízení je třeba ještě předtím, než je použijete na praní prádla, provést jeden zkušební cyklus s pracím prostředkem a bez náplně prádla nastavením pracího programu 2.

Technické údaje

| | |
|---|---|
| Model | IWSB 61051 |
| Rozměry | šířka 59,5 cm výška 85 cm hloubka 40 cm |
| Kapacita | od 1 do 6 kg |
| Napájení | Viz štítek s technickými údaji, aplikovaný na zařízení. |
| Připojení k rozvodu vody | maximální tlak 1 MPa (10 bar) minimální tlak 0.05 MPa (0.5 bar) kapacita bubny 40 litrů |
| Rychlost odstředování | až do 1000 otáček za minutu |
| Kontrolní programy podle směrníc 1061/2010 a 1015/2010 | program 2; standardní program pro bavlnu pro praní při 60°C. program 3; standardní program pro bavlnu pro praní při 40°C. |
|   | Toto zařízení odpovídá následujícím normám Evropské unie: - EMC 2014/30/EU (Elektromagnetická kompatibilita) - LVD 2014/35/EU (Nízké napětí) - 2012/19/EU - WEEE |

Údržba a péče

CZ

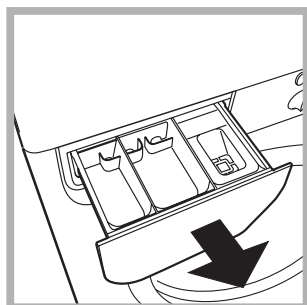
Uzavření přívodu vody a vypnutí elektrického napájení

- Po každém praní uzavřete přívod vody. Tímto způsobem dochází k omezení opotřebení pračky a ke snížení nebezpečí úniku vody.
- Před zahájením čištění pračky a během operací údržby vytáhněte zástrčku napájecího kabelu z elektrické zásuvky.

Čištění pračky

Vnější části a části z gumy se mohou čistit hadrem navlhčeným ve vlažné vodě a saponátu. Nepoužívejte rozpouštědla ani abrazivní látky.

Čištění dávkovače pracích prostředků



Vytáhněte dávkovač jeho nadzvednutím a vytažením směrem ven (viz obrázek). Umyjte jej pod proudem vody; tento druh vyčištění je třeba provádět pravidelně.

Péče o dvířka a buben

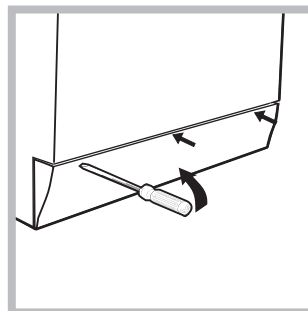
- Dvířka ponechte pokaždé pootevřená, aby se zabránilo tvorbě nepříjemných zápachů.

Čištění čerpadla

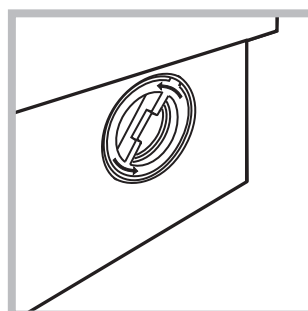
Součástí pračky je samočisticí čerpadlo, které nevyžaduje údržbu. Může se však stát, že se v jeho vstupní části, určené k jeho ochraně a nacházející se v jeho spodní části, zachytí drobné předměty (mince, knoflíky).

! Ujistěte se, že byl prací cyklus ukončen, a vytáhněte zástrčku ze zásuvky.

Přístup ke vstupní části čerpadla:



1. pomocí šroubováku odstraňte krycí panel nacházející se v přední části pračky (viz obrázek);



2. odšroubujte víko jeho otáčením proti směru hodinových ručiček (viz obrázek): vytečení malého množství vody je zcela běžným jevem;

3. dokonale vyčistěte vnitřek;
4. zašroubujte zpět víko;
5. namontujte zpět panel, přičemž se před jeho přisunutím k zařízení ujistěte, že došlo ke správnému zachycení háčků do příslušných podélných otvorů.

Kontrola přítokové hadice na vodu

Stav přítokové hadice je třeba zkontrolovat alespoň jednou ročně. Jsou-li na ní viditelné praskliny nebo trhliny, je třeba ji vyměnit: silný tlak působící na hadici během pracího cyklu by mohl způsobit její náhlé roztržení.

! Nikdy nepoužívejte již použité hadice.

! Pračka byla navržena a vyrobena v souladu s platnými mezinárodními bezpečnostními předpisy. Tato upozornění jsou uváděna z bezpečnostních důvodů a je třeba si je pozorně přečíst.

Základní bezpečnostní pokyny

- Toto zařízení bylo navrženo výhradně pro použití v domácnosti.
- Toto zařízení mohou používat děti od 8 let a osoby se sníženými fyzickými, senzorickými nebo duševními schopnostmi nebo osoby s nedostatečnými zkušenostmi a znalostmi, když se nacházejí pod náležitým dohledem nebo když byly náležitě vyškoleny ohledně bezpečného použití zařízení a uvědomují si související nebezpečí. Děti si nesmí hrát se zařízením. Děti nesmí provádět operace údržby a čištění bez dohledu.
- Pračku mohou používat pouze dospělé osoby podle pokynů uvedených v tomto návodu.
- Nedotýkejte se zařízení bosí nebo v případě, že máte mokré ruce či nohy.
- Nevytahujte zástrčku ze zásuvky tahem za kabel, ale uchopením za zástrčku.
- Neotvírejte dávkovač pracích prostředků během činnosti zařízení.
- Nedotýkejte se odčerpávané vody, protože může mít velmi vysokou teplotu.
- Nepokoušejte se o násilné otevření dvířek: mohlo by dojít k poškození bezpečnostního uzávěru, který zabraňuje náhodnému otevření.
- Při výskytu poruchy se v žádném případě nepokoušejte o opravu vnitřních částí zařízení.
- Vždy mějte pod kontrolou děti a zabraňte tomu, aby se přibližovaly k zařízení během pracího cyklu.
- Během pracího cyklu mají dvířka tendenci ohřát se.
- V případě potřeby přemíst'ujte pračku ve dvou nebo ve třech a věnujte celé operaci maximální pozornost. Nikdy se nepokoušejte zařízení přemíst'ovat sami, je totiž velmi těžké.
- Před zahájením vkládání prádla zkontrolujte, zda je buben prázdný.

Likvidace

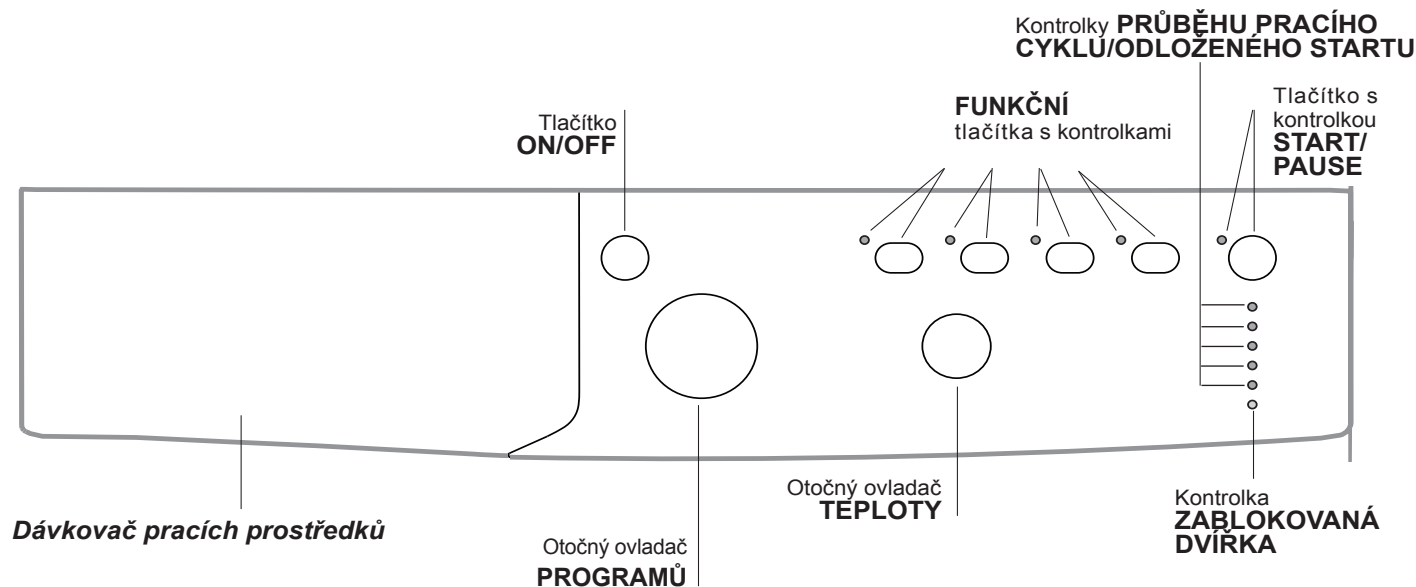
- Likvidace obalových materiálů: při jejich odstranění postupujte v souladu s místními předpisy a dbejte na možnou recyklaci.
- Evropská směrnice 2012/19/EU o odpadních elektrických a elektronických zařízeních stanovuje, že staré domácí elektrické spotřebiče nesmí být odkládány do běžného netříděného domovního odpadu. Staré spotřebiče musí být odevzdány do odděleného sběru, a to za účelem recyklace a optimálního využití materiálů, které obsahují, a z důvodu předcházení negativním dopadům na lidské zdraví a životní prostředí. Symbol "přeškrtnuté popelnice" na výrobku vás upozorňuje na povinnost odevzdat zařízení po

skončení jeho životnosti do odděleného sběru. Spotřebitelé by měli kontaktovat příslušné místní úřady nebo svého prodejce ohledně informací týkajících se správné likvidace starého zařízení.

Popis pračky a zahájení pracího programu

Ovládací panel

CZ



Dávkovač pracích prostředků: slouží k dávkování pracích prostředků a přídatných prostředků (viz „Prací prostředky a prádlo“).

Tlačítko **ON/OFF**: slouží k zapnutí a vypnutí pračky.

Otočný ovladač **PROGRAMŮ**: pro nastavení pracích programů. Během pracího programu zůstane ve stejné poloze.

FUNKČNÍ tlačítka s kontrolkami: slouží k volbě jednotlivých dostupných funkcí. Kontrolka zvolené funkce zůstane rozsvícena.

Otočný ovladač **TEPLoty**: slouží k nastavení teploty praní nebo praní ve studené vodě (viz „Uživatelská nastavení“).

Kontrolky **PRŮBĚHU PRACÍHO CYKLU/ODLOŽENÉHO STARTU**: slouží ke kontrole průběhu pracího programu. Rozsvícená kontrolka poukazuje na probíhající fázi. V případě, že byla nastavena funkce „Odloženého startu“, budou informovat o čase zbývajícím do zahájení pracího programu (viz *vedlejší strana*).

Kontrolka **ZABLOKOVANÁ DVÍŘKA**: informuje o tom, zda je možné otevřít dvířka (viz *vedlejší strana*).

Tlačítko s kontrolkou **START/PAUSE**: Slouží ke spuštění nebo dočasnému přerušení programů.

POZN.: Stisknutí tohoto tlačítka slouží k přerušení probíhajícího praní; příslušná kontrolka bude blikat oranžovým světlem, zatímco kontrolka probíhající fáze zůstane rozsvícena stálým světlem. Když bude kontrolka **ZABLOKOVANÁ DVÍŘKA** zhasnuta, bude možné otevřít dvířka (vyčkejte přibližně 3 minuty). Za účelem opětovného zahájení praní z bodu, ve kterém bylo přerušeno, znovu stiskněte toto tlačítko.

Pohotovostní režim

Za účelem shody s novými předpisy souvisejícími s energetickou úsporou je tato pračka vybavena systémem automatického vypnutí (přechodu do pohotovostního režimu – standby), který je aktivován po uplynutí několika minut, když se pračka nepoužívá. Krátce stiskněte tlačítko ON-OFF a vyčkejte na obnovení činnosti zařízení.

Kontrolky

Kontrolky jsou zdrojem důležitých informací. Informují nás o následujících skutečnostech:

Odložený start

Když byla aktivována funkce „Odloženého startu“ (viz „Uživatelská nastavení“), po zahájení pracího programu začne blikat příslušná kontrolka zvoleného odložení:

3h 

6h 

9h 

12h 

Průběžně bude zobrazován čas zbývající do startu a zobrazování bude prováděno blikáním příslušné kontrolky:

3h 

6h 

9h 

12h 

Po uplynutí zvolené doby odložení dojde k zahájení nastaveného programu.

Kontrolka aktuální fáze pracího programu:

Po zvolení a zahájení požadovaného pracího cyklu dojde k postupnému rozsvícení kontrolek informujících o jeho průběhu.

| | |
|----------------|---|
| Praní |  |
| Máchání |  |
| Odstředování |  |
| Odčerpání vody |  |
| Ukončení praní |  |

Funkční tlačítka a příslušné kontrolky

Po zvolení konkrétní funkce dojde k rozsvícení příslušné kontrolky.


V případě, že zvolená funkce není kompatibilní s nastaveným pracím programem, příslušná kontrolka začne blikat a funkce nebude aktivována.

V případě, že zvolená funkce není kompatibilní s jinou předem zvolenou funkcí, kontrolka první funkce bude blikat a bude aktivována pouze druhá, přičemž kontrolka zvolené funkce se rozsvítí stálým světlem.

Kontrolka zablokovaných dvířek

Rozsvícení této kontrolky poukazuje na to, že dvířka jsou zajištěna kvůli zamezení náhodnému otevření; aby se zabránilo poškození dvířek, před jejich otevřením je třeba vyčkat, dokud uvedená kontrolka nezhasne; (vyčkejte přibližně 3 minuty). Za účelem otevření dvířek v průběhu pracího cyklu stiskněte tlačítko START/PAUSE; když bude kontrolka ZABLOKOVANÁ DVÍŘKA zhasnutá, bude možné otevřít dvířka.

Zahájení pracího programu

1. Zapněte pračku stisknutím tlačítka ON/OFF. Všechny kontrolky se rozsvítí na několik sekund, poté se zhasnou a bude blikat kontrolka START/PAUSE.
2. Naplňte pračku a zavřete dvířka.
3. Otočným ovladačem PROGRAMŮ nastavte požadovaný prací program.
4. Nastavte teplotu praní (viz „Uživatelská nastavení“).
5. Nadávkujte prací prostředek a přídatné prostředky (viz „Prací prostředky a prádlo“).
6. Zvolte požadované funkce.
7. Zahajte prací program stisknutím tlačítka START/PAUSE a příslušná kontrolka zůstane rozsvícena stálým světlem zelené barvy. Zrušení nastaveného pracího cyklu se provádí přerušením činnosti zařízení stisknutím tlačítka START/PATA a volbou nového cyklu.
8. Po ukončení pracího programu se rozsvítí kontrolka END. Po zhasnutí kontrolky ZABLOKOVANÁ DVÍŘKA  bude možné otevřít dvířka (vyčkejte přibližně 3 minuty). Vytáhněte prádlo a nechte dvířka pootevřená, aby bylo umožněno vysušení bubnu. Vypněte pračku stisknutím tlačítka ON/OFF.

Prací programy

Tabulka pracích programů

| Programy | Popis programu | Max. teplota (°C) | Max. rychlost (otáčky za minutu) | Prací prostředky | | | Max. náplň (kg) | Zbytková vlhkost % | Spotřeba energie kWh | Celkové množství vody lit | Cycle duration |
|--|---|-------------------|----------------------------------|------------------|-------|--------|-----------------|--------------------|----------------------|---------------------------|----------------|
| | | | | Předpraní | Praní | Aviváž | | | | | |
| Programy pro každodenní praní (Daily) | | | | | | | | | | | |
| 1 | BAVLNA + PŘEDPRANÍ: mimořádně znečištěné bílé prádlo. | 90° | 1000 | ● | ● | ● | 6 | 62 | 1,81 | 65 | 150' |
| 2 | Standardní program pro bavlnu pro praní při 60 °C (1): silně znečištěné bílé a barevné prádlo z odolných tkanin. | 60° (Max. 90°) | 1000 | - | ● | ● | 6 | 62 | 1,04 | 48,0 | 205' |
| 3 | Standardní program pro bavlnu pro praní při 40 °C (2): silně znečištěné bílé a barevné choulostivé prádlo. | 40° | 1000 | - | ● | ● | 6 | 62 | 1,03 | 65 | 190' |
| 4 | Syntetika: velmi znečištěné barevné prádlo z odolných tkanin. | 60° | 800 | - | ● | ● | 3 | 44 | 0,70 | 40 | 105' |
| 4 | Syntetika (3): částečně znečištěné barevné prádlo z odolných tkanin. | 40° | 800 | - | ● | ● | 3 | 44 | 0,47 | 38 | 95' |
| 5 | Barevná bavlna: málo znečištěné bílé a barevné choulostivé prádlo. | 40° | 1000 | - | ● | ● | 6 | 62 | 0,64 | 50 | 85' |
| 20° Zone | | | | | | | | | | | |
| 6 | Standardní program pro bavlnu pro praní při 20°C: silně znečištěné bílé a barevné choulostivé prádlo. | 20° | 1000 | - | ● | ● | 6 | - | - | - | 170' |
| 7 | Mix Light | 20° | 800 | - | ● | ● | 6 | - | - | - | 120' |
| 8 | 20' Refresh | 20° | 800 | - | ● | ● | 1,5 | - | - | - | 20' |
| Speciální programy (Special) | | | | | | | | | | | |
| 9 | HEDVÁBÍ/ZÁCLONY: pro prádlo z hedvábí, viskózy, spodní prádlo. | 30° | 0 | - | ● | ● | 1 | - | - | - | 55' |
| 10 | Vlna: pro vlnu, kašmír atd. | 40° | 800 | - | ● | ● | 1 | - | - | - | 65' |
| 11 | Jeans | 40° | 800 | - | ● | ● | 2,5 | - | - | - | 70' |
| Sport | | | | | | | | | | | |
| 12 | Sport Intensive | 30° | 600 | - | ● | ● | 2,5 | - | - | - | 85' |
| 13 | Sport Light | 30° | 600 | - | ● | ● | 2,5 | - | - | - | 60' |
| 14 | Sport Shoes | 30° | 600 | - | ● | ● | Max. 2 páry. | - | - | - | 55' |
| Díčí programy | | | | | | | | | | | |
| | Máchání | - | 1000 | - | - | ● | 6 | - | - | - | 36' |
| | Odstředování + Odčerpání vody | - | 1000 | - | - | - | 6 | - | - | - | 16' |

Doba trvání cyklu uvedená na displeji nebo v návodu představuje odhad vypočítaný na základě standardních podmínek. Skutečná doba se může měnit v závislosti na četných faktorech, jako je např. teplota a tlak vody na vstupu, teplota prostředí, množství pracího prostředku, množství a druh náplně, vyvážení náplně a zvolené volitelné funkce.

1) Kontrolní program podle normy 1061/2010: nastavte program 2 s teplotou 60°C.

Tento cyklus je vhodný pro praní běžně znečištěné bavlny a jedná se o neúčinnější cyklus z hlediska kombinované spotřeby energie a vody určený pro prádlo, které lze prát při teplotě do 60 °C. Skutečná teplota praní se může lišit od uvedené.

2) Kontrolní program podle normy 1061/2010: nastavte program 3 s teplotou 40°C.

Tento cyklus je vhodný pro praní běžně znečištěné bavlny a jedná se o neúčinnější cyklus z hlediska kombinované spotřeby energie a vody určený pro prádlo, které lze prát při teplotě do 40°C. Skutečná teplota praní se může lišit od uvedené.

Pro všechny Kontrolní ústavy:

2) Dlouhý program na praní bavlny: nastavte program 3 s teplotou 40°C.

3) Syntetický program spolu: nastavte program 4 s teplotou 40°C.

Sport Intensive (program 12) byl navržen pro velmi znečištěné látky sportovního oblečení (teplákové soupravy, šortky apod.); pro dosažení optimálních výsledků se doporučuje nepřekračovat maximální náplň uvedenou v "Tabulka pracích programů".

Sport Light (program 13) byl navržen pro mírně znečištěné látky sportovního oblečení (teplákové soupravy, šortky apod.); pro dosažení optimálních výsledků se doporučuje nepřekračovat maximální náplň uvedenou v "Tabulka pracích programů". Doporučuje se použít tekutý prací prostředek a použít dávku vhodnou pro poloviční náplň.

Sport Shoes (program 14) byl navržen pro praní sportovní obuvi; pro dosažení optimálních výsledků nepřete více než 2 páry najednou.

Programy 20° (20° Zone) nabízejí dobrou výkonnost praní při nízkých teplotách, přičemž umožňují nižší použití elektrické energie s výhodami pro finanční úsporu i pro životní prostředí. Programy 20° vyhovují všem požadavkům:

Standardní program pro bavlnu pro praní při 20°C (program 6) ideální pro náplně ze znečištěné bavlny. Dobrá výkonnost i za studena, srovnatelná s praním při 40 °C, je zaručena mechanickým působením, které je založeno na změně rychlosti v krátkých nebo dlouhých intervalech.

Mix Light (program 7) ideální pro smíšené náplně (bavlna a syntetika), tvořené středně znečištěným prádlem. Dobrá výkonnost praní i za studena je zaručena mechanickým působením, které je založeno na změně rychlosti ve středních nebo určených intervalech.

20' Refresh (program 8) osvěžení ideální cyklus pro osvěžení a praní mírně znečištěného prádla v průběhu pár minut. Trvá pouze 20 minut a šetří tak čas i energii. Umožňuje prát dohromady tkaniny různého druhu (s výjimkou vlny a hedvábí) při náplni nepřesahující 1,5 kg.

Nastavení teploty

Otáčením otočného ovladače TEPLOTY se nastavuje teplota praní (viz *Tabulka programů*).

Teplota může být postupně snižována až po praní ve studené vodě (❄).

Zařízení automaticky zabrání nastavení vyšší teploty, než je maximální teplota pro každý prací program.

! Výjimka: při volbě programu **2** bude možné zvýšit teplotu až na 90°C.

Funkce

Jednotlivé funkce, kterými pračka disponuje, umožňují dosáhnout požadovaného stupně čistoty a bělosti praného prádla.

Způsob aktivace jednotlivých funkcí:

1. stiskněte příslušné tlačítko požadované funkce;
2. rozsvícení příslušné kontrolky signalizuje, že došlo k aktivaci zvolené funkce.

Poznámka:

- V případě, že zvolená funkce není kompatibilní s nastaveným pracím programem, příslušná kontrolka začne blikat a funkce nebude aktivována.
- V případě, že zvolená funkce není kompatibilní s jinou předem zvolenou funkcí, kontrolka první funkce bude blikat a bude aktivována pouze druhá, přičemž kontrolka zvolené funkce se rozsvítí stálým světlem.

EcoTime

Volbou této volitelné funkce se bude mechanický pohon, teplota a voda optimalizovat pro sníženou náplň mírně znečištěné bavlny a syntetických materiálů "*Tabulka pracích programů*". Při použití "EcoTime" můžete pracovat s kratšími dobami a ušetřit vodu a energii. Doporučuje se používat dávku tekutého pracího prostředku vhodnou pro naplněné množství.

Energy Savēr

Funkce ^{Energy Savēr} přispívá k energetické úspoře tím, že neohřívá vodu použitou pro praní prádla – jedná se o výhodu pro životní prostředí i pro účet za elektrickou energii. Zesílený účinek a optimalizovaná spotřeba vody vskutku zaručují optimální výsledky během stejné průměrné doby odpovídající standardnímu cyklu. Pro dosažení lepších výsledků praní se doporučuje použít tekutý prací prostředek.

⦿ 1000-500

Slouží ke snížení rychlosti odstředování.

🕒 Odložený start

Slouží k odložení zahájení pracího cyklu až o 12 hodin.

Opakovaně stiskněte tlačítko až do rozsvícení kontrolky označující požadovanou dobu odložení. Po pátém stisknutí tlačítka dojde k vyloučení uvedené funkce.

POZN.: Po stisknutí tlačítka START/PAUSE je možné změnit hodnotu odložení pouze ve smyslu jejího snížení, a to až do zahájení nastaveného programu.

Prací prostředky a prádlo

CZ

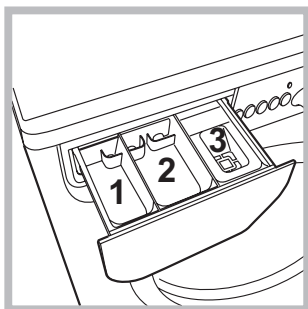
Dávkač pracích prostředků

Dobry výsledek praní závisí také na správném dávkování pracího prostředku: použití jeho nadměrného množství snižuje efektivitu praní a napomáhá tvorbě vodního kamene na vnitřních částech pračky a zvyšuje znečištění životního prostředí.

! Nepoužívejte prací prostředky určené pro ruční praní, protože způsobují tvorbu nadměrného množství pěny.

! Pro předpírku a praní při teplotě vyšší než 60 °C použijte práškové prací prostředky pro bílé bavlněné prádlo.

! Dodržujte pokyny uvedené na obalu pracího prostředku.



Při vytahování dávkače pracích prostředků a při jeho plnění pracími nebo přídatnými prostředky postupujte následovně.

příhrádka 1: Prací prostředek (práškový) pro předpírku.

příhrádka 2: Prací prostředek (práškový anebo tekutý) pro praní

Tekutý prací prostředek se nalévá pouze těsně před uvedením do chodu.

příhrádka 3: Přídatné prostředky (aviváž, atd.)

Aviváž nesmí vytékat z mřížky.

Příprava prádla

- Roztřídte prádlo podle:
 - druhu tkaniny / symbolu na visačce.
 - barvy: oddělte barevné prádlo od bílého.
- Vyprázdněte kapsy a zkontrolujte knoflíky.
- Nepřekračujte hodnoty povolené náplně, uvedené v „Tabulka pracích programů“, vztahující se na hmotnost suchého prádla.


Kolik váží prádlo?

- 1 prostěradlo 400-500 g
- 1 povlak na polštář 150-200 g
- 1 ubrus 400-500 g
- 1 župan 900-1.200 g
- 1 ručník 150-250 g

Oděvy vyžadující zvláštní péči

Hedvábí: použijte příslušný program **9** pro praní všeho prádla z hedvábí. Doporučujeme použití pracího prostředku pro choulostivé prádlo.

Záclony: přehnout je a uložit dovnitř povlaku na polštář anebo do sáčku ze síťoviny. Použijte program **9**.

Vlna: S programem **10** je možné prát v pračce všechny druhy vlněného prádla, také ty, které jsou označeny visačkou „prát pouze v ruce“ . Pro dosažení optimálních výsledků použijte specifický prací prostředek a nepřekračujte 1 kg prádla.

Jeans: převratte prádlo naruby a použijte tekutý prací prostředek. Použijte program **11**.

System automatického vyvážení náplně

Před každým odstředováním buben provede otáčení rychlostí lehce převyšující rychlost praní, aby se odstranily vibrace a aby se náplň rovnoměrně rozložila. V případě, že po několikanásobných pokusech o vyvážení prádlo ještě nebude správně vyváženo, zařízení provede odstředování nižší rychlostí, než je přednastavená rychlost. Za přítomnosti nadměrného nevyvážení pračka provede namísto odstředování vyvážení. Za účelem dosažení rovnoměrnějšího rozložení náplně a jejího správného vyvážení se doporučuje míchat velké a malé kusy prádla.

Může se stát, že pračka nebude fungovat. Dříve, než zatelefonujete na Servisní službu (viz „*Servisní služba*“), zkontrolujte, zda se nejedná o problém, který lze snadno vyřešit s pomocí následujícího seznamu.

Poruchy:

Možné příčiny / Způsob jejich odstranění:

Pračku nelze zapnout.

- Zástrčka není zasunuta v zásuvce nebo není zasunuta natolik, aby došlo ke spojení kontaktů.
- V celém domě je vypnutý proud.

Nedochází k zahájení pracího cyklu.

- Nejsou řádně zavřená dvířka.
- Nebylo stisknuto tlačítko ON/OFF.
- Nebylo stisknuto tlačítko START/PAUSE.
- Nebyl otevřen kohout přívodu vody.
- Byl nastaven odložený start (viz „*Uživatelská nastavení*“).

Pračka nenapouští vodu (rychle bliká kontrolka první fáze praní).

- Přívodní hadice není připojena k vodovodnímu kohoutu.
- Hadice je příliš ohnutá.
- Nebyl otevřen kohout přívodu vody.
- V celém domě je uzavřený přívod vody.
- V rozvodu vody není dostatečný tlak.
- Nebylo stisknuto tlačítko START/PAUSE.

Dochází k nepřetržitému napouštění a odčerpávání vody.

- Vypouštěcí hadice se nachází mimo určené rozmezí od 65 do 100 cm nad zemí (viz „*Instalace*“).
- Koncová část vypouštěcí hadice je ponořena ve vodě (viz „*Instalace*“).
- Odpad ve stěně není vybaven odvzdušňovacím otvorem.

Když ani po uvedených kontrolách nedojde k odstranění problému, uzavřete přívod vody, vypněte pračku a přivolejte Servisní službu. V případě, že se byt nachází na jednom z nejvyšších poschodí, je možné, že dochází k sifonovému efektu, jehož následkem pračka nepřetržitě napouští a odčerpává vodu. Pro odstranění uvedeného efektu jsou v prodeji běžně dostupné speciální protisifonové ventily.

Nedochází k vyčerpání vody nebo k odstředování.

- Odčerpání vody netvoří součást nastaveného programu: u některých programů je třeba jej aktivovat manuálně.
- Vypouštěcí hadice je ohnutá (viz „*Instalace*“).
- Odpadové potrubí je ucpáno.

Během odstředování je možné pozorovat silné vibrace pračky.

- Během instalace nebyl buben odjištěn předepsaným způsobem (viz „*Instalace*“).
- Pračka není dokonale vyrovnaná do vodorovné polohy (viz „*Instalace*“).
- Pračka je stlačena mezi nábytkem a stěnou (viz „*Instalace*“).

Dochází k úniku vody z pračky.

- Přítoková hadice není správně zašroubována (viz „*Instalace*“).
- Dávkovač pracích prostředků je ucpán (způsob jeho vyčištění je uveden v části „*Údržba a péče*“).
- Vypouštěcí hadice není upevněna předepsaným způsobem (viz „*Instalace*“).

Kontrolky „volitelné funkce“ a kontrolka „START/PAUSE“ blikají a jedna z kontrolek „probíhající fáze“ a „zablokovaná dvířka“ se rozsvítí stálým světlem.

- Vypněte zařízení a vytáhněte zástrčku ze zásuvky, vyčkejte přibližně 1 minutu a opětovně jej zapněte.
Když porucha přetrvává, obraťte se na Servisní službu.

Dochází k tvorbě nadměrného množství pěny.

- Použitý prací prostředek není vhodný pro použití v automatické pračce (musí obsahovat označení „pro praní v pračce“, „pro ruční praní nebo pro praní v pračce“ nebo podobné označení).
- Bylo použito jeho nadměrné množství.

Servisní služba

CZ

Před přivoláním Servisní služby:

- Zkontrolujte, zda nejste schopni poruchu odstranit sami (viz „Poruchy a způsob jejich odstranění“);
- Opětovně uveďte do chodu prací program, abyste ověřili, zda byla porucha odstraněna;
- V opačném případě se obraťte na Centrum servisní služby na telefonním čísle uvedeném na záručním listu.

! Nikdy se neobracejte s žádostí o pomoc na techniky, kteří nejsou k výkonu této činnosti oprávněni.

Při hlášení poruchy uveďte:

- druh poruchy;
- model zařízení (Mod.);
- výrobní číslo (S/N).

Tyto informace jsou uvedeny na štítku aplikovaném na zadní části pračky a v její přední části, dostupné po otevření dvířek.

| NAŘÍZENÍ KOMISE V PŘENESENÉ PRAVOMOCI (EU) č. 1061/2010 | |
|--|------------------------|
| Značka | INDESIT |
| Model | IWSB 61051 C ECO EU |
| Jmenovitá kapacita bavlněné látky v kg | 6 |
| Třída energetické účinnosti na stupnici A+++ (nejnižší spotřeba) až G (vysoká spotřeba) | A+ |
| Roční spotřeba energie v kWh ¹⁾ | 196 |
| Spotřeba energie standardního programu pro bavlnu pro praní při 60 °C s celou náplní v kWh ²⁾ | 1.066 |
| Spotřeba energie standardního programu pro bavlnu pro praní při 60 °C s poloviční náplní v kWh ²⁾ | 0.731 |
| Spotřeba energie standardního programu pro bavlnu pro praní při 40 °C s poloviční náplní v kWh ²⁾ | 0.653 |
| Vážená spotřeba energie ve vypnutém stavu ve W | 0.5 |
| Vážená spotřeba energie v režimu ponechání v zapnutém stavu ve W | 8 |
| Roční spotřeba vody v litrech ³⁾ | 8118 |
| Třída účinnosti sušení odstředováním na stupnici od G (nejmenší účinnost) do A (nejvyšší účinnost) | C |
| Maximální otáčky při odstředování ⁴⁾ | 1000 |
| Zbytkový obsah vlhkosti v % ⁵⁾ | 62.0% |
| Trvání „standardního programu pro bavlnu pro praní při 60 °C“ s celou náplní v minutách. | 230 |
| Trvání „standardního programu pro bavlnu pro praní při 60 °C“ s poloviční náplní v minutách. | 175 |
| Trvání „standardního programu pro bavlnu pro praní při 40 °C“ s poloviční náplní v minutách. | 170 |
| Trvání režimu ponechání v zapnutém stavu v minutách | 30 |
| Emise hluku v dB(A) re 1 pW během praní ⁶⁾ | 60 |
| Emise hluku v dB(A) re 1 pW během odstředování ⁶⁾ | 76 |
| Vestavný spotřebič | |

¹⁾ Standardní program pro bavlnu pro praní při 60 °C s celou náplní a poloviční náplní a standardní program pro bavlnu pro praní při 40 °C s poloviční náplní jsou standardní prací programy, na které se vztahují informace uvedené na energetickém štítku a v informačním listu. Tyto programy jsou vhodné pro praní běžně znečištěného bavlněného prádla a jedná se o neúčinnější programy z hlediska kombinované spotřeby energie a vody.

²⁾ Na základě 220 standardních pracích cyklů s programy pro bavlnu pro praní při 60 °C a 40 °C s celou a poloviční náplní a spotřeba v režimech s nízkou spotřebou energie. Skutečná spotřeba energie bude záviset na tom, jak je spotřebič používán.

³⁾ Na základě 220 standardních pracích cyklů s programy pro bavlnu pro praní při 60 °C a 40 °C s celou a poloviční náplní. Skutečná spotřeba vody bude záviset na tom, jak je spotřebič používán.

⁴⁾ U standardního programu pro bavlnu pro praní při 60 °C s celou náplní nebo u standardního programu pro bavlnu pro praní při 40 °C s poloviční náplní podle toho, která hodnota je menší.

⁵⁾ U standardního programu pro bavlnu pro praní při 60 °C s celou náplní nebo u standardního programu pro bavlnu pro praní při 40 °C s poloviční náplní podle toho, která hodnota je větší.

⁶⁾ Během fází praní a odstředování u standardního programu pro bavlnu pro praní při 60 °C s celou náplní.

SK

Slovensky

IWSB 61051

Obsah

Inštalácia, 38-39

Rozbalenie a vyrovnanie do vodorovnej polohy
Pripojenie k elektrickej a k vodovodnej sieti
Prvý prací cyklus
Technické údaje

Údržba a starostlivosť, 40

Uzavretie prívodu vody a vypnutie elektrického napájania
Čistenie práčky
Čistenie dávkovača pracích prostriedkov
Starostlivosť o dvierka a bubon
Čistenie čerpadla
Skontrolujte prítokovú hadicu vodu

Opatrenia a rady, 41

Základné bezpečnostné pokyny
Likvidácia

Popis práčky a zahájenie pracieho programu, 42-43

Ovládací panel
Kontrolky
Zahájenie pracieho programu

Pracie programy, 44

Tabuľka pracích programov

Užívateľské nastavenia, 45

Nastavenie teploty
Funkcie

Pracie prostriedky a prádlo, 46

Dávkovač pracích prostriedkov
Príprava prádla
Prádlo vyžadujúce osobitnú starostlivosť
Systém automatického vyváženia náplne

Poruchy a spôsob ich odstránenia, 47

Servisná služba, 48

Inštalácia

SK

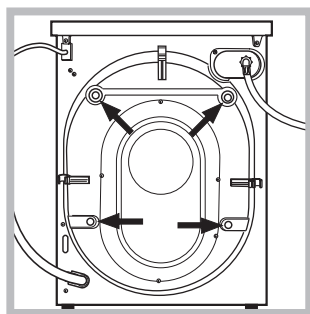
! Je veľmi dôležité uschovať tento návod kvôli prípadnému ďalšiemu použitiu. V prípade predaja, darovania alebo presťahovania práčky sa uistite, že zostane uložený v jej blízkosti, aby mohol poslúžiť novému majiteľovi pri oboznámení sa s činnosťou a s príslušnými upozoreniami.

! Pozorne si prečítajte uvedené pokyny: obsahujú dôležité informácie, týkajúce sa inštalácie, použitia a bezpečnosti pri práci.

Rozbalenie a vyrovnanie do vodorovnej polohy

Rozbalenie

1. Rozbaľte práčku.
2. Skontrolujte, či počas prepravy nedošlo k jej poškodeniu. V prípade, že je poškodená, nezapájajte ju a obráťte sa na predajcu.



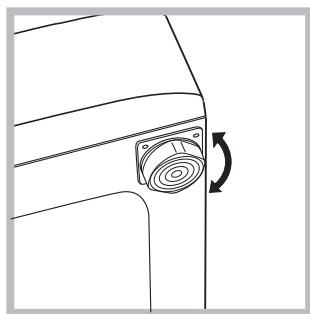
3. Odstráňte 4 skrutky slúžiace na ochranu počas prepravy a gumovú podložku s príslušným dištančným členom, ktoré sa nachádzajú v zadnej časti (vid' obrázok).

4. Uzatvorte otvory po skrutkách plastovými krytkami z príslušenstva.
5. Uschovajte všetky diely: v prípade opätovnej prepravy práčky ich bude potrebné opätovne namontovať.

! Obaly nie sú hračky pre deti!

Vyrovnanie do vodorovnej polohy

1. Práčku je potrebné umiestniť na rovnú a pevnú podlahu tak, aby nebola opretá o stenu, nábytok alebo o niečo iné.

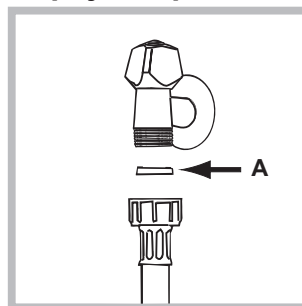


2. V prípade, že podlaha nie je dokonale vodorovná, môžu byť prípadné rozdiely vykompenzované skrutkovaním predných nožičiek (vid' obrázok); Uhol sklonu, nameraný na pracovnej ploche, nesmie presiahnuť 2°.

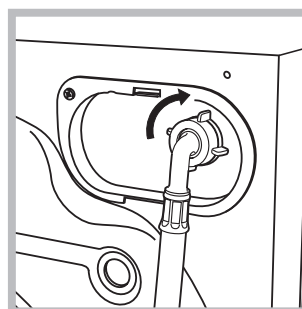
Dokonalé vyrovnanie do vodorovnej polohy zabezpečí stabilitu zariadenia a zamedzí vzniku vibrácií a hluku počas činnosti. V prípade inštalácie na podlahovú krytinu alebo na koberec, nastavte nožičky tak, aby pod práčkou zostal dostatočný voľný priestor na ventiláciu.

Pripojenie k elektrickej a k vodovodnej sieti

Pripojenie prítokovej hadice vody



1. Vložte tesnenie A do koncovkej časti prítokovej hadice a pripevnite ju k uzáveru studenej vody so závitom 3/4" (vid' obrázok). Pred pripojením hadice nechajte vodu odtiecť, až kým nebude priehľadná.



2. Pripojte prítokovú hadicu k práčke, jej zaskrutkovaním k príslušnej prípojke na vodu, umiestnenej vpravo hore (vid' obrázok).

3. Zabezpečte, aby hadica nebola príliš ohnutá alebo stlačená.

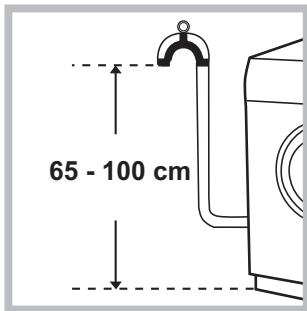
! Tlak v rozvode vody sa musí pohybovať v rozmedzí hodnôt uvedených v tabuľke s technickými údajmi (vid' vedľajšia strana).

! V prípade, že dĺžka prítokovej hadice nebude dostatočná, obráťte sa na špecializovanú predajňu alebo na autorizovaný technický personál.

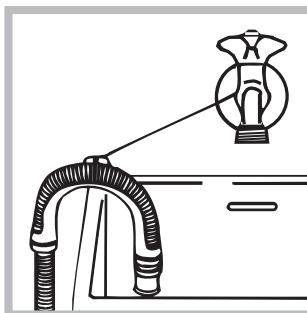
! Nikdy nepoužívajte už použité hadice.


! Používajte hadice z príslušenstva zariadenia.

Pripojenie vypúšťacej hadice



Pripojte vypúšťaciu hadicu, bez toho aby ste ju ohli, k odpadovému potrubiu alebo k odpadu v stene, ktorý sa nachádza od 65 do 100 cm nad zemou;



Alebo ju zachyťte na okraj umývadla či vane priviazaním vedenia  (zakúpiteľné u servisnej služby) ku kohútiku (vid' obrázok). Voľný koniec vypúšťacej hadice nesmie zostať ponorený do vody.

! Použitie predlžovacích hadíc sa neodporúča; ak je však nevyhnutné, predlžovacia hadica musí mať rovnaký priemer ako originálna hadica a jej dĺžka nesmie presiahnuť 150 cm.

Pripojenie k elektrickej sieti

Pred zasunutím zástrčky do zásuvky sa uistite, že:

- zásuvka je uzemnená a že vyhovuje normám;
- zásuvka je schopná uniesť maximálnu záťaž odpovedajúcu menovitému príkonu zariadenia, uvedenému v tabuľke s technickými údajmi (vid' vedľa);
- hodnota napájacieho napätia odpovedá údajom uvedeným v tabuľke s technickými údajmi (vid' vedľa);
- zásuvka je kompatibilná so zástrčkou práčky. V opačnom prípade je potrebné vymeniť zásuvku alebo zástrčku.

! Práčka nesmie byť umiestnená vonku – pod holým nebom, a to ani v prípade, keby sa jednalo o miesto chránené pred nepriazňou počasia, pretože je veľmi nebezpečné vystaviť ju dažďu a búrkam.

! Po ukončení inštalácie musí zásuvka zostať ľahko prístupná.

! Nepoužívajte predlžovacie káble a rozvodky.



! Kábel nesmie byť ohnutý alebo pritlačený.

! Výmena kábla musí byť zverená výhradne autorizovanému technickému personálu.

Upozornenie! Výrobca neponesie žiadnu zodpovednosť za následky spôsobené nerešpektovaním týchto pokynov.

Prvý prací cyklus

Po inštalácii zariadenia je potrebné ešte pred jeho použitím vykonať jeden skúšobný cyklus s prácim prostriedkom a bez náplne prádla, nastavením pracieho programu 2.

| Technické údaje | |
|---|--|
| Model | IWSB 61051 |
| Rozmery | šírka 59,5 cm výška 85 cm hĺbka 40 cm |
| Kapacita | od 1 do 6 kg |
| Elektrické zapojení | Vid' štítok s technickými údajmi, aplikovaný na zariadení. |
| Pripojenie k rozvodu vody | maximálny tlak 1 MPa (10 bar) maximálny tlak 0,05 MPa (0.5 bar) kapacita bubna 40 litrov |
| Rýchlost odstredovania | Až do 1000 otáčok za minútu |
| Kontrolné programy podľa smerníc 1061/2010 a 1015/2010 | Program 2: štandardný program pre bavlnu pri 60°C. Program 3: štandardný program pre bavlnu pri 40°C. |
|   | Toto zariadenie je v zhode s nasledujúcimi smernicami Európskej únie: - EMC 2014/30/EU (Elektromagnetická kompatibilita) - LVD 2014/35/EU (Nízke napätie) - 2012/19/EU - (WEEE) |

Údržba a starostlivosť

SK

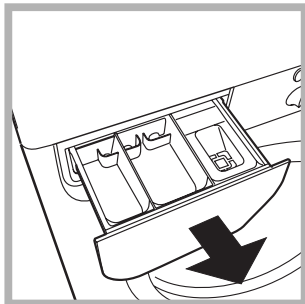
Uzavretie prívodu vody a vypnutie elektrického napájania

- Po každom praní uzatvorte prívod vody. Týmto spôsobom sa znižuje opotrebenie rozvodu vody zariadenia a znižuje sa nebezpečenstvo úniku vody.
- Pred zahájením čistenia práčky a počas údržby je potrebné vytiahnuť zástrčku prívodného kábla zo zásuvky.

Čistenie práčky

Vonkajšie časti a časti z gumy môžu byť čistené utierkou navlhčenou vo vlažnej vode a saponáte. Nepoužívajte rozpúšťadlá alebo abrazívne prostriedky.

Čistenie dávkovača pracích prostriedkov



Vytiahnite dávkovač jeho nadvihnutím a vytiahnutím smerom von (vid' obrázok). Dávkovač umyte pod prúdom vody; toto čistenie je potrebné vykonávať pravidelne.

Starostlivosť o dvierka a bubon

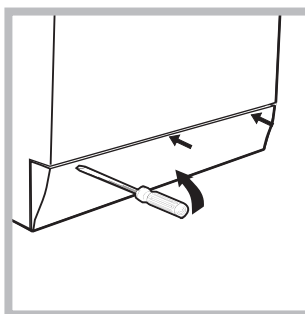
- Dvierka ponechajte zakaždým pootvorené, aby sa zabránilo tvorbe nepríjemných zápachov.

Čistenie čerpadla

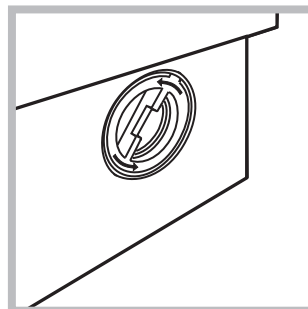
Súčasťou práčky je samočistiace čerpadlo, ktoré nevyžaduje údržbu. Môže sa však stať, že sa v jeho vstupnej ochrannej časti, nachádzajúcej na spodku, zachytia drobné predmety (mince, gombíky).

! Uistite sa, že prací cyklus bol ukončený a vytiahnite zástrčku zo zásuvky.

Prístup k vstupnej časti čerpadla:



1. pomocou skrutkovača odstráňte krycí panel, nachádzajúci sa v prednej časti práčky (vid' obrázok);



2. odskrutkujte veko otáčaním proti smeru hodinových ručičiek (vid' obrázok): vytečenie malého množstva vody je úplne bežným javom;

3. dokonale vyčistite vnútro;
4. nasadte naspäť veko;
5. namontujte naspäť krycí panel, pričom sa pred jeho prisunutím k práčke uistite, že došlo k správnej zachyteniu háčikov do príslušných otvorov.

Skontrolujte prítokovú hadicu vodu

Stav prítokovej hadice je potrebné skontrolovať aspoň raz ročne. Ak sú na nej viditeľné praskliny alebo trhliny, je potrebné ju vymeniť: silný tlak v hadici počas pracieho cyklu by mohol spôsobiť jej náhle roztrhnutie.

! Nikdy nepoužívajte už použité hadice.

! Práčka bola navrhnutá a vyrobená v súlade s platnými medzinárodnými bezpečnostnými predpismi. Tieto upozornenia sú uvádzané z bezpečnostných dôvodov a je potrebné si ich pozorne prečítať.

Základné bezpečnostné pokyny

- Toto zariadenie bolo navrhnuté výhradne na použitie ako spotrebič.
- Toto zariadenie smú používať deti od 8 rokov, osoby náležite vyškolené ohľadne bezpečného použitia zariadenia, ktoré si uvedomujú súvisiace nebezpečenstvo a v prípade dozoru aj osoby so zníženými fyzickými, senzorickými alebo duševnými schopnosťami alebo osoby s nedostatočnými skúsenosťami a znalosťami. Deti sa so zariadením nesmú hrať. Operácie údržby a čistenia nesmú vykonávať deti bez dohľadu.
- Nedotýkajte sa zariadenia bosí, alebo v prípade, keď máte mokré ruky alebo nohy.
- Nevyťahujte zástrčku zo zásuvky ťahaním za kábel, ale uchopením za zástrčku.
- Neotvárajte dávkovač pracích prostriedkov počas činnosti zariadenia.
- Nedotýkajte sa odčerpávanej vody, pretože môže mať veľmi vysokú teplotu.
- V žiadnom prípade sa nepokúšajte o násilné otvorenie dvierok: mohlo by dôjsť k poškodeniu bezpečnostného uzáveru, ktorý zabraňuje náhodnému otvoreniu.
- Pri výskyte poruchy sa v žiadnom prípade nepokúšajte o opravu vnútorných častí zariadenia.
- Vždy majte pod kontrolou deti a zabráňte tomu, aby sa približovali k zariadeniu počas pracieho cyklu.
- Počas pracieho cyklu majú dvierka tendenciu zohrievať sa.
- Ak je potrebné ju presunúť, je dobré poveriť dve alebo tri osoby a vykonať to s maximálnou pozornosťou. Nikdy sa nepokúšajte zariadenie premiestňovať sami, pretože je veľmi ťažké.
- Pred zahájením vkladania prádla skontrolujte, či je bubon prázdny.

Likvidácia

- Likvidácia obalových materiálov: pri ich odstránení postupujte v súlade s miestnymi predpismi a dbajte na možnú recykláciu.
- Európska smernica 2012/19/EU o odpadových elektrických a elektronických zariadeniach stanovuje, že staré domáce elektrické spotrebiče nesmú byť odkladané do bežného netriedeného domového odpadu. Staré spotrebiče musia byť odovzdané do oddeleného zberu a to za účelom recyklácie a optimálneho využitia materiálov, ktoré obsahujú, z dôvodu prevencie negatívneho dopadu na ľudské zdravie a životné prostredie.

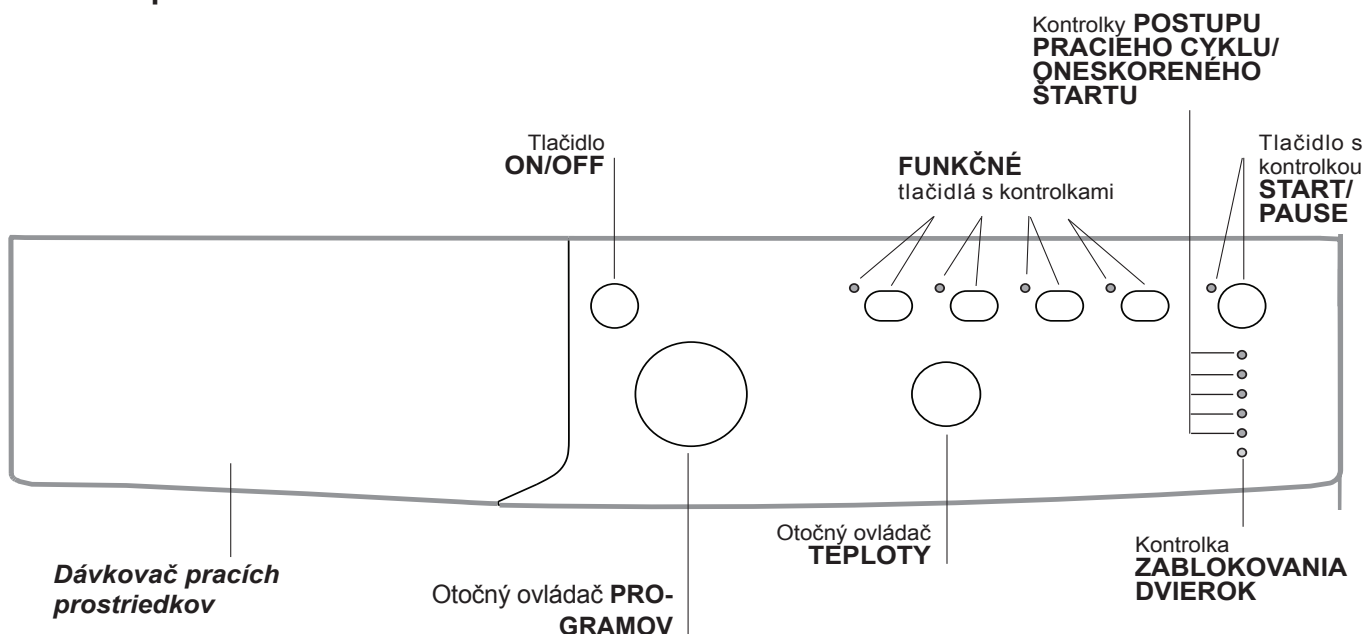
Symbol “prečiarknutej popolnice” na výrobku Vás upozorňuje na povinnosť odovzdať zariadenie po skončení jeho životnosti do oddeleného zberu.

Spotrebitelia majú povinnosť kontaktovať ich lokálny úrad alebo maloobchod kvôli informáciám týkajúcich sa správneho odovzdaniu a likvidácie ich starých spotrebičov.

Popis práčky a zahájenie pracieho programu

SK

Ovládací panel



Dávkovač pracích prostriedkov: slúži na dávkovanie pracích prostriedkov a prídavných prostriedkov (vid' „Pracie prostriedky a prádlo“).

Tlačidlo **ON/OFF**: slúži na zapnutie a vypnutie práčky.

Otočný ovládač **PROGRAMOV**: pre nastavenie pracích programov. Počas pracieho programu zostane v rovnakej polohe.

FUNKČNÉ tlačidlá s kontrolkami: Slúžia na voľbu jednotlivých dostupných funkcií. Kontrolka zvolenej funkcie zostane rozsvietená.


Otočný ovládač **TEPLoty**: slúži na nastavenie teploty alebo prania alebo prania v studenej vode (vid' „Užívateľské nastavenia“).

Kontrolky **POSTUPU PRACIEHO CYKLU/ONESKORENÉHO ŠTARTU**: slúžia na kontrolu postupu pracieho programu.

Rozsvietená kontrolka poukazuje na prebiehajúcu fázu. Ak je nastavená funkcia „Oneskoreného štartu“, budú zobrazovať čas zostávajúci do zahájenia programu (vid' vedľajšia strana).

Kontrolka **ZABLOKOVANIA DVIEROK**: informuje o tom, či je možné otvoriť dvierka (vid' vedľajšia strana).

Tlačidlo s kontrolkou **START/PAUSE**: slúži na zahájenie alebo na dočasné prerušenie programov.

POZN.: Stlačenie tohoto tlačidla slúži na prerušenie prebiehajúceho prania; príslušná kontrolka bude blikať oranžovým svetlom, zatiaľ čo kontrolka prebiehajúcej fázy zostane rozsvietená stálym svetlom. Keď bude kontrolka ZABLOKOVANIA DVIEROK  zhasnutá, bude možné otvoriť dvierka (vyčkajte približne 3 minúty). Pre opätovné zahájenie prania z bodu, v ktorom bolo prerušené, opätovne stlačte toto tlačidlo.

Pohotovostný režim

Po skončení cyklu alebo v case, keď nie je spustený žiaden cyklus, po 30 minútach dôjde k vypnutiu zariadenia kvôli energetickej úspore. Na obnovenie činnosti zariadenia, nachádzajúceho sa v pohotovostnom režime, stačí stlačiť tlačidlo ON/OFF.

Kontrolky

Kontrolky sú zdrojom dôležitých informácií. Informujú o nasledujúcich skutočnostiach:

Oneskorený štart

Keď bola aktivovaná funkcia „Oneskoreného štartu“ (vid’ „Užívateľské nastavenia“), po zahájení pracieho programu začne blikať príslušná kontrolka zvoleného oneskorenia:



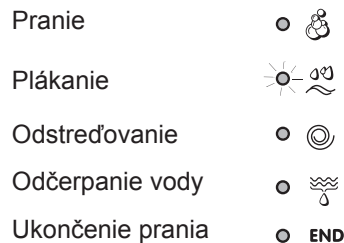
Priebežne bude zobrazovaný čas zostávajúci do štartu, a zobrazovanie bude sprevádzané blikaním príslušnej kontrolky:



Po uplynutí zvolenej doby oneskorenia dôjde k zahájeniu nastaveného programu.

Kontrolky prebiehajúcej fázy

Po zvolení a zahájení požadovaného pracieho cyklu dôjde k postupnému rozsvetovaniu kontroliek informujúcich o jeho postupe.



Funkčné tlačidlá a príslušné kontrolky


Po zvolení konkrétnej funkcie dôjde k rozsvieteniu príslušnej kontrolky.

Keď zvolenú funkciu nie je možné zaradiť do nastaveného programu, príslušná kontrolka bude blikať, budete počuť akustický signál a funkcia nebude aktivovaná. V prípade, že zvolená funkcia nie je kompatibilná s inou predtým zvolenou funkciou, kontrolka prvej voliteľnej funkcie bude blikať a bude aktivovaná len druhá, pričom kontrolka zvolenej funkcie sa rozsvieti stálym svetlom.

Kontrolka zablokovania dvierok



Rozsvietenie tejto kontrolky signalizuje, že dvierka sú zaistené kvôli zamedzeniu ich náhodnému otvoreniu; aby sa dvierka nepoškodili, pred ich otvorením je potrebné vyčakať, kým uvedená kontrolka nezhasne; (vyčkajte približne 3 minúty). Na otvorenie dvierok v priebehu pracieho cyklu stlačte tlačidlo START/PAUSE; keď bude kontrolka ZAISTENÉ DVIERKA zhasnutá, bude možné dvierka otvoriť.

Zahájenie pracieho programu

1. Zapnite práčku stlačením tlačidla ON/OFF. Všetky kontrolky sa rozsvetia na niekoľko sekúnd, potom zhasnú a bude blikať kontrolka START/PAUSE.
2. Naplňte práčku a zatvorte dvierka.
3. Otočným ovládačom PROGRAMOV zvolte požadovaný prací program.
4. Nastavte teplotu prania (vid’ „Užívateľské nastavenia“).
5. slúži na dávkovanie pracieho prostriedku a prídavných prostriedkov (vid’ „Pracie prostriedky a prádlo“).
6. Zvolte požadované funkcie.
7. Zahajte prací program stlačením tlačidla START/PAUSE a príslušná kontrolka zostane rozsvietená stálym svetlom zelenej farby. Zrušenie nastaveného pracieho cyklu sa vykonáva prerušením činnosti zariadenia stlačením tlačidla START/PAUSE a voľbou nového cyklu.
8. Po ukončení pracieho programu sa rozsvieti kontrolka END. Po zhasnutí kontrolky ZABLOKOVANIA DVIEROK  bude možné dvierka otvoriť (vyčkajte približne 3 minúty). Vytiahnite prádlo a nechajte dvierka pootvorené, aby bolo umožnené vysušenie bubna. Zapnite práčku stlačením tlačidla ON/OFF.

Pracie programy

Tabuľka pracích programov

| Pracie programy | Popis programu | Max. Teplota (°C) | Max. rýchlosť (otáčky za minútu) | Pracie prostriedky | | | Max. náplň (kg) | Zvyšková vlhkosť % | Spotreba energie kWh | Voda celkom lt | Doba trvania cyklu |
|---|--|-------------------|----------------------------------|--------------------|---------|---------|-----------------|--------------------|----------------------|----------------|--------------------|
| | | | | Pred-pranie | Pra-nie | Avi-vaz | | | | | |
| Denné (Daily) | | | | | | | | | | | |
| 1 | Bavlna + predpranie: Mimoriadne špinavé biele prádlo. | 90° | 1000 | ● | ● | ● | 6 | 62 | 1,81 | 65 | 150' |
| 2 | Štandardný program pre bavlnu pri 60 °C (1): Znacne špinavé biele a farebné prádlo z odolných tkanín. | 60° (Max. 90°) | 1000 | - | ● | ● | 6 | 62 | 1,04 | 48,0 | 205' |
| 3 | Štandardný program pre bavlnu pri 40 °C (2): Znacne špinavé biele a farebné prádlo z chĺlostivých tkanín. | 40° | 1000 | - | ● | ● | 6 | 62 | 1,03 | 65 | 190' |
| 4 | Syntetika: Veľmi špinavé farebné prádlo z odolných tkanín. | 60° | 800 | - | ● | ● | 3 | 44 | 0,70 | 40 | 105' |
| 4 | Syntetika (3): Čiastočne špinavé farebné prádlo z odolných tkanín. | 40° | 800 | - | ● | ● | 3 | 44 | 0,47 | 38 | 95' |
| 5 | Farebná bavlna: Málo špinavé biele chĺlostivé prádlo. | 40° | 1000 | - | ● | ● | 6 | 62 | 0,64 | 50 | 85' |
| 20° Zone | | | | | | | | | | | |
| 6 | Štandardný program pre bavlnu pri 20 °C: Znacne špinavé biele a farebné prádlo z chĺlostivých tkanín. | 20° | 1000 | - | ● | ● | 6 | - | - | - | 170' |
| 7 | Mix Light | 20° | 800 | - | ● | ● | 6 | - | - | - | 120' |
| 8 | 20' Refresh | 20° | 800 | - | ● | ● | 1,5 | - | - | - | 20' |
| Špeciálne programy (Special) | | | | | | | | | | | |
| 9 | Hodváb/záclony: Pre prádlo z hodvábu, viskózy, spodné prádlo. | 30° | 0 | - | ● | ● | 1 | - | - | - | 55' |
| 10 | Vlna: Pre vlnu, kašmír, atd. | 40° | 800 | - | ● | ● | 1 | - | - | - | 65' |
| 11 | Jeans | 40° | 800 | - | ● | ● | 2,5 | - | - | - | 70' |
| Sport | | | | | | | | | | | |
| 12 | Sport Intensive | 30° | 600 | - | ● | ● | 2,5 | - | - | - | 85' |
| 13 | Sport Light | 30° | 600 | - | ● | ● | 2,5 | - | - | - | 60' |
| 14 | Sport Shoes | 30° | 600 | - | ● | ● | Max. 2 pairs | - | - | - | 55' |
| Dielcie programy | | | | | | | | | | | |
|  | Plákanie | - | 1000 | - | - | ● | 6 | - | - | - | 36' |
|  | Odstred'ovanie + Odčerpanie vody | - | 1000 | - | - | - | 6 | - | - | - | 16' |

Doba trvania cyklu, uvedená na displeji alebo v návode, je stanovená na základe štandardných podmienok. Skutočná doba sa môže meniť v závislosti na mnohých faktoroch, ako sú napr. teplota a tlak vody na vstupe, teplota prostredia, množstvo pracieho prostriedku, množstvo a druh náplne, vyváženie náplne a zvolené funkcie.

1) Kontrolný program podľa normy 1061/2010: nastavte program 2 s teplotou 60°C.

Tento cyklus je vhodný pre pranie bežne znečisteného bavlneného prádla a jedná sa o najúčinnjší cyklus z hľadiska kombinovanej spotreby energie a vody, určený pre prádlo, ktoré je možné prať pri teplote do 60°C. Skutočná teplota prania sa môže líšiť od uvedenej.

2) Kontrolný program podľa normy 1061/2010: nastavte program 3 s teplotou 40°C.

Tento cyklus je vhodný pre pranie bežne znečisteného bavlneného prádla a jedná sa o najúčinnjší cyklus z hľadiska kombinovanej spotreby energie a vody, určený pre prádlo, ktoré je možné prať pri teplote do 40°C. Skutočná teplota prania sa môže líšiť od uvedenej.

Pre všetky Test Institutes:

2) Dlhý program na pranie bavlny: nastavte program 3 s teplotou 40°C.

3) Syntetický program spolu: nastavte program 4 s teplotou 40°C.

Sport Intensive (program 12) bol navrhnutý pre pranie veľmi znečistených látok športového oblečenia (teplákové súpravy, šortky apod.); pre dosiahnutie optimálnych výsledkov sa odporúča neprekračovať maximálnu náplň uvedenú v "Tabuľka pracích programov".

Sport Light (program 13) bol navrhnutý pre pranie málo znečistených látok športového oblečenia (teplákové súpravy, šortky apod.); pre dosiahnutie optimálnych výsledkov sa odporúča neprekračovať maximálnu náplň uvedenú v "Tabuľka pracích programov". Odporúča sa použiť tekuté prací prostriedky a použiť dávku vhodnú pre polovičnú náplň.

Sport Shoes (program 14) bol navrhnutý pre pranie športovej obuvi; pre dosiahnutie optimálnych výsledkov neperte viac ako 2 páry naraz.

Programy 20° (20° Zone) ponúkajú účinné pranie pri nízkych teplotách, čím umožňujú šetrenie elektrickej energie, úsporu peňazí a chránia životné prostredie.

Programy 20° vyhovujú všetkým požiadavkám:

Štandardný program pre bavlnu pri 20 °C (program 6) ideálny pre náplne zo znečistenej bavlny. Účinné pranie i za studena, porovnateľné s práním pri 40 °C, dosiahnuté mechanickým pôsobením, ktoré je založené na zmene rýchlosti v krátkych alebo dlhých intervaloch.

Mix Light (program 7) ideálny pre zmiešané náplne (bavlna a syntetika) stredne znečisteného prádla. Účinné pranie i za studena je dosiahnuté mechanickým pôsobením, ktoré je založené na zmene rýchlosti v stredných alebo určených intervaloch.

20' Osvieženie (program 8) ideálny cyklus pre osvieženie a pranie miere znečisteného prádla v priebehu pár minút. Trvá len 20 minút a šetrí tak čas i energiu. Umožňuje spolu prať tkaniny rôzneho druhu (s výnimkou vlny a hodvábu) pri náplni nepresahujúcej 1,5 kg.

Nastavenie teploty

Otáčaním otočného ovládača TEPLOTY sa nastavuje teplota prania (viď *Tabuľka programov*).

Teplota môže byť postupne znižovaná až po pranie v studenej vode (❄).

Zariadenie automaticky zabráni nastaveniu vyššej teploty ako je maximálna teplota pre každý prací program.

! Výnimka: pri voľbe programu **2** bude možné zvýšiť teplotu až na 90°C.

Funkcie

Jednotlivé funkcie, ktorými práčka disponuje, umožňujú dosiahnuť požadovaný stupeň čistoty a belosti praného prádla.

Spôsob aktivácie jednotlivých funkcií:

1. stlačte príslušné tlačidlo požadovanej funkcie;
2. rozsvietenie príslušnej kontrolky signalizuje, že došlo k aktivácii zvolenej funkcie.

Poznámka:


- Keď zvolenú funkciu nie je možné zaradiť do nastaveného programu, príslušná kontrolka bude blikať, budete počuť akustický signál a funkcia nebude aktivovaná.

- V prípade, že zvolená funkcia nie je kompatibilná s inou predtým zvolenou funkciou, kontrolka prvej voliteľnej funkcie bude blikať a bude aktivovaná len druhá, pričom kontrolka zvolenej funkcie sa rozsvieti stálym svetlom.

EcoTime

Voľbou tejto funkcie budú mechanický pohon, teplota a voda nastavené pre zníženú náplň málo znečistenej bavlny a syntetických materiálov (viď „Tabuľka programov“). Pri použití programu „EcoTime“ môžete pracovať s kratšími dobami a ušetriť vodu a energiu. Odporúča sa používať dávku tekutého pracieho prostriedku, vhodnú pre naplnené množstvo.

Energy Savér

Funkcia  prispieva k energetickej úspore, tým že neohrieva vodu použitú na pranie prádla – šetrí sa tým nie len životné prostredie, ale aj náklady za elektrickú energiu. Posilnený účinok a optimalizovaná spotreba vody skutočne zabezpečia optimálny výsledok za rovnakú priemernú dobu odpovedajúcu štandardnému cyklu. Na dosiahnutie lepších výsledkov prania sa odporúča použiť tekutý prací prostriedok.

1000-500

Slúži na zníženie rýchlosti odstreivania.

Oneskorený štart

Slúži na odloženie zahájenia pracieho cyklu až o 12 hodín.

Opakovane stlačajte tlačidlo, až kým sa nerozsvieti kontrolka označujúca požadovanú dobu oneskorenia. Po piatom stlačení tlačidla dôjde k zrušeniu uvedenej funkcie.

POZN.: Po stlačení tlačidla START/PAUSE je možné zmeniť čas oneskorenia len jeho znížením a to až do zahájenia nastaveného programu.

Pracie prostriedky a prádlo

SK

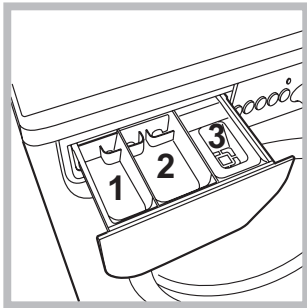
Dávkovač pracích prostriedkov

Dobry výsledok prania závisí aj od správneho dávkovania pracieho prostriedku: použitie nadmerného množstva znižuje efektivitu prania a napomáha tvorbe vodného kameňa na vnútorných častiach práčky a zvyšuje znečistenie životného prostredia.

! Nepoužívajte pracie prostriedky určené na pranie v rukách, pretože spôsobujú tvorbu nadmerného množstva peny.

! Používajte práškové pracie prostriedky pre biele bavlnené prádlo a pre predpieranie a pre pranie pri teplote vyššej ako 60 °C.

! Dodržujte pokyny uvedené na obale pracieho prostriedku.



Pri vyťahovaní dávkovača pracích prostriedkov a pri jeho plnení pracími alebo prídavnými prostriedkami postupujte nasledovne.

priehradka 1: Prací prostriedok na predpieranie (práškový)

priehradka 2: Prací prostriedok na pranie (práškový alebo tekutý)

Tekutý prací prostriedok sa nalieva len tesne pred zahájením pracieho cyklu.

priehradka 3: Prídavné prostriedky (aviváž, atď.)

Aviváž nesmie vytekať z mriežky.

Príprava prádla

- Roztriedte prádlo podľa:
 - druhu tkaniny / symbolu na visačke.
 - farby: oddelte farebné prádlo od bieleho.
- Vyprázdňte vrecká a skontrolujte gombíky.
- Neprekračujte hodnoty povolenej náplne uvedenej v "Tabuľka pracích programov", vzťahujúce sa na hmotnosť suchého prádla:


Koľko váži prádlo?

- 1 plachta 400-500 g
- 1 obliečka 150-200 g
- 1 obrus 400-500 g
- 1 župan 900-1.200 g
- 1 uterák 150-250 g

Prádlo vyžadujúce osobitnú starostlivosť

Hodváb: použite príslušný program **9** na pranie všetkého prádla z hodvábu. Odporúča sa použitie pracieho prostriedku pre chýlostivé prádlo.

Záclony: odporúča sa ich poskladať a vložiť do sáčku dodaného v rámci príslušenstva. Použite program **9**.

Vlna: S programom **10** je možné prať v práčke všetky druhy vlneného prádla, aj tie, ktoré sú označené visačkou „prať len v rukách“ . Pre dosiahnutie optimálnych výsledkov používajte špecifický prací prostriedok a neprekračujte náplň 1 kg.

Jeans: Prevráťte prádlo naruby a použite tekutý prací prostriedok. Použite program **11**.

Systém automatického vyváženia náplne

Pred každým odstredovaním bubon vykoná otáčanie rýchlosťou o málo prevyšujúcou rýchlosť prania, aby sa tak odstránili vibrácie a aby sa náplň rovnomerne rozložila. V prípade, že po niekoľko násobných pokusoch o vyváženie prádlo ešte nebude správne vyvážené, zariadenie vykoná odstredovanie nižšou rýchlosťou, ako je prednastavená rýchlosť. Ak je práčka nadmerne nevyvážená, vykoná namiesto odstredovania vyváženie. Za účelom dosiahnutia rovnomernejšieho rozloženia náplne a jej správneho vyváženia, odporúča sa pomiešať veľké a malé kusy prádla.

Môže sa stať, že práčka nebude fungovať. Skôr, ako zatelefonujete na Servisnú službu *vid' „Servisná služba“*) skontrolujte, či sa nejedná o problém ľahko odstrániteľný pomocou nasledujúceho zoznamu.

Poruchy:

Možné príčiny / Spôsob ich odstránenia:

Pračku nie je možné zapnúť.

- Zástrčka nie je zasunutá v elektrickej zásuvke, alebo nie je zasunutá dostatočne, aby došlo k spojeniu kontaktov.
- V celom dome je vypnutý prúd.

Nedochádza k zahájeniu pracieho cyklu.

- Nie sú riadne zatvorené dvierka.
- Nebolo stlačené tlačidlo ON/OFF.
- Nebolo stlačené tlačidlo START/PAUSE.
- Nebol otvorený kohútik prívodu vody.
- Bol nastavený oneskorený štart (*vid' „Užívateľské nastavenia“*).

Pračka nenapúšťa vodu (rýchle bliká kontrolka prvej fázy prania).

- Prítoková hadica nie je pripojená k vodovodnému kohútiku.
- Hadica je príliš ohnutá.
- Nebol otvorený kohútik prívodu vody.
- V celom dome je uzatvorený prívod vody.
- V rozvode vody nie je dostatočný tlak.
- Nebolo stlačené tlačidlo START/PAUSE.

Pračka nepretržite napúšťa a odčerpáva vodu.

- Vypúšťacia hadica sa nachádza mimo určeného rozmedzia od 65 do 100 cm nad zemou (*vid' „Inštalácia“*).
 - Koncová časť vypúšťacej hadice je ponorená vo vode (*vid' „Inštalácia“*).
 - Odpadové potrubie v stene nie je vybavené odvzdušňovacím otvorom.
- Ak po týchto kontrolách nedôjde k odstráneniu problému, zatvorte vodovodný kohútik, vypnite práčku a zavolajte Servisnú službu. V prípade, že sa byt nachádza na jednom z najvyšších poschodí je možné, že dochádza k sifónovému efektu, následkom ktorého práčka nepretržite napúšťa a odčerpáva vodu. Na odstránenie uvedeného efektu sú v predaji bežne dostupné špeciálne „protisifónové“ ventily.

Pračka neodčerpáva vodu alebo neodstreďuje.

- Odčerpanie vody netvorí súčasť nastaveného programu: pri niektorých programoch je potrebné aktivovať ho manuálne.
- Vypúšťacia hadica je ohnutá (*vid' „Inštalácia“*).
- Odpadové potrubie je upchaté.

Pračka vo fáze odstredovania veľmi vibruje.

- Počas inštalácie nebol bubon odistený predpísaným spôsobom (*vid' „Inštalácia“*).
- Pračka nie je dokonale vyrovnaná do vodorovnej polohy (*vid' „Inštalácia“*).
- Zariadenie je stlačené medzi nábytkom a stenou (*vid' „Inštalácia“*).

Z práčky uniká voda.

- Prítoková hadica nie je správne zaskrutkovaná (*vid' „Inštalácia“*).
- Dávkovač pracích prostriedkov je upchatý (spôsob jeho vyčistenia je uvedený v časti *„Údržba a starostlivosť“*).
- Vypúšťacia hadica nie je dobre pripevnená (*vid' „Inštalácia“*).

Kontrolky „voliteľné funkcie“ a kontrolka „START/PAUSE“ blikajú a jedna z kontroliek „prebiehajúca fáza“ a „ZABLOKOVANIA DVIEROK“ sa rozsvieti stálym svetlom.

- Vypnite zariadenie a vytiahnite zástrčku zo zásuvky, vyčkajte 1 minútu a opätovne ho zapnite.
Ak porucha pretrváva, obráťte sa na Servisnú službu.

Dochádza k tvorbe nadmerného množstva peny.

- Použitý prací prostriedok nie je vhodný na použitie v automatickej práčke (musí obsahovať označenie „pre pranie v práčke“, „pre pranie v rukách alebo v práčke“ alebo podobné označenie).
- Bolo použité jeho nadmerné množstvo.

Servisná služba

SK

Pred obrátením sa na Servisnú službu:

- Skontrolujte, či nie ste schopní poruchu odstrániť sami (vid' „Poruchy a spôsob ich odstránenia“);
- Opätovne uveďte do chodu prací program, s cieľom overiť, či bola porucha odstránená;
- V opačnom prípade sa obráťte na Centrum servisnej služby, na telefónnom čísle uvedenom na záručnom liste.

! Nikdy sa neobracajte so žiadosťou o pomoc na technikov, ktorí nie sú na vykonávanie tejto činnosti oprávnení.

Pri hlásení poruchy uveďte:

- druh poruchy;
- model zariadenia (Mod.);
- výrobné číslo (S/N).

Tieto informácie sú uvedené na štítku aplikovanom na zadnej časti práčky a v jej prednej časti, dostupnej po otvorení dvierok.

| DELEGOVANÉ NARIADENIE KOMISIE (EÚ) č. 1061/2010 | |
|--|------------------------|
| Značka | INDESIT |
| Model | IWSB 61051 C ECO EU |
| Menovitá kapacita bavlnenej látky v kg | 6 |
| Trieda energetickej účinnosti na stupnici A+++ (najnižšia spotreba) až G (vysoká spotreba) | A+ |
| Ročná spotreba energie v kWh ¹⁾ | 196 |
| Spotreba energie štandardného programu na bavlnu pre pranie pri 60 °C s celou náplňou v kWh ²⁾ | 1.066 |
| Spotreba energie štandardného programu na bavlnu pre pranie pri 60 °C s polovičnou náplňou v kWh ²⁾ | 0.731 |
| Spotreba energie štandardného programu na bavlnu pre pranie pri 40 °C s polovičnou náplňou v kWh ²⁾ | 0.653 |
| Vážená spotreba energie vo vypnutom stave vo W | 0.5 |
| Vážená spotreba energie v režime ponechania v zapnutom stave vo W | 8 |
| Ročná spotreba vody v litroch ³⁾ | 8118 |
| Trieda účinnosti sušenia odstredovaním na stupnici od G (najmenšia účinnosť) do A (najvyššia účinnosť) | C |
| Maximálne otáčky pri odstredovaní ⁴⁾ | 1000 |
| Zostatkový obsah vlhkosti v % ⁵⁾ | 62.0% |
| Trvanie „štandardného programu na bavlnu pre pranie pri 60 °C“ s celou náplňou v minútach. | 230 |
| Trvanie „štandardného programu na bavlnu pre pranie pri 60 °C“ s polovičnou náplňou v minútach. | 175 |
| Trvanie „štandardného programu na bavlnu pre pranie pri 40 °C“ s polovičnou náplňou v minútach. | 170 |
| Trvanie režimu ponechania v zapnutom stave v minútach | 30 |
| Emisia hluku v dB(A) re 1 pW počas prania ⁶⁾ | 60 |
| Emisia hluku v dB(A) re 1 pW počas odstredovania ⁶⁾ | 76 |
| Vstavaný spotrebič | |

¹⁾ Štandardný program na bavlnu pre pranie pri 60 °C s celou náplňou a polovičnou náplňou a štandardný program na bavlnu pre pranie pri 40 °C s polovičnou náplňou sú štandardné pracie programy, na ktoré sa vzťahujú informácie uvedené na energetickom štítku a v informačnom liste. Tieto programy sú vhodné na pranie bežne znečistenej bavlnenej bielizne a jedná sa o najúčinnnejšie programy z hľadiska kombinovanej spotreby energie a vody.

²⁾ Na základe 220 štandardných pracích cyklov s programami na bavlnu pre pranie pri 60 °C a 40 °C s celou a polovičnou náplňou a spotreba v režimoch s nízkou spotrebou energie. Skutočná spotreba energie bude závisieť na tom, ako je spotrebič používaný.

³⁾ Na základe 220 štandardných pracích cyklov s programami na bavlnu pre pranie pri 60 °C a 40 °C s celou a polovičnou náplňou. Skutočná spotreba vody bude závisieť na tom, ako je spotrebič používaný.

⁴⁾ U štandardného programu na bavlnu pre pranie pri 60 °C s celou náplňou alebo u štandardného programu na bavlnu pre pranie pri 40 °C s polovičnou náplňou podľa toho, ktorá hodnota je menšia.

⁵⁾ U štandardného programu na bavlnu pre pranie pri 60 °C s celou náplňou alebo u štandardného programu na bavlnu pre pranie pri 40 °C s polovičnou náplňou podľa toho, ktorá hodnota je väčšia.

⁶⁾ Počas fázy prania a odstredovania u štandardného programu na bavlnu pre pranie pri 60 °C s celou náplňou.

PL

Polski,1

IWSB 61051

Spis treści

Instalacja, 50-51

Rozpakowanie i wypoziomowanie
Podłączenia hydrauliczne i elektryczne
Pierwszy cykl prania
Dane techniczne

Utrzymanie i konserwacja, 52

Odlączenie wody i prądu elektrycznego
Czyszczenie pralki
Czyszczenie szufladki na środki piorące
Konserwacja okrągłych drzwiczek i bębna
Czyszczenie pompy
Kontrola przewodu doprowadzającego wodę

Zalecenia i środki ostrożności, 53

Ogólne zasady bezpieczeństwa
Utylizacja

Opis pralki i uruchamianie programu, 54-55

Panel sterowania
Kontrolki
Uruchamianie programu

Programy, 56

Tabela programów

Personalizacja, 57

Ustawianie temperatury
Funkcje

Środki piorące i bielizna, 58

Szufladka na środki piorące
Przygotowanie bielizny
Tkaniny wymagające szczególnego traktowania
System równoważenia ładunku

Nieprawidłowości w działaniu i sposoby ich usuwania, 59

Serwis Techniczny, 60

Instalacja

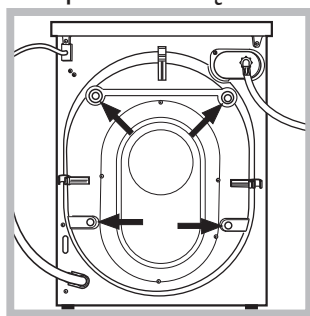
PL

! Należy zachować niniejszą książeczkę, aby móc z niej skorzystać w każdej chwili. W przypadku sprzedaży, odstąpienia lub przeniesienia pralki w inne miejsce należy zadbać o przekazanie instrukcji wraz z maszyną, aby nowy właściciel mógł zapoznać się z działaniem urządzenia i z dotyczącymi go ostrzeżeniami. ! Należy uważnie przeczytać instrukcję obsługi: zawiera ona ważne informacje dotyczące instalacji oraz właściwego i bezpiecznego użytkowania pralki.

Rozpakowanie i wypoziomowanie

Rozpakowanie

1. Rozpakować pralkę.
2. Sprawdzić, czy nie doznała ona uszkodzeń w czasie transportu. W przypadku stwierdzenia uszkodzeń nie podłączać jej i skontaktować się ze sprzedawcą.



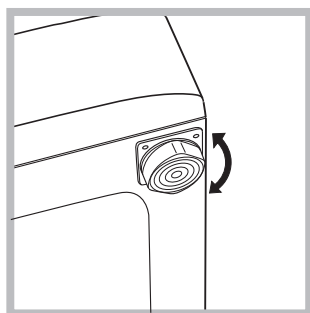
3. Odkręcić 4 śruby zabezpieczające maszynę na czas transportu oraz zdjąć gumowy element z podkładką, znajdujący się w tylnej części pralki (patrz rysunek).

4. Zatkać otwory przy pomocy plastikowych zaślepek, znajdujących się w wyposażeniu maszyny.
5. Zachować wszystkie części: w razie konieczności przewiezienia pralki w inne miejsce, powinny one zostać ponownie zamontowane.

! Części opakowania nie są zabawkami dla dzieci.

Poziomowanie

1. Ustawić pralkę na płaskiej i twardej podłodze, nie opierając jej o ściany, meble itp.

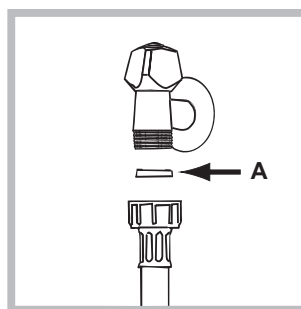


2. Jeśli podłoga nie jest idealnie pozioma, należy skompensować nierówności, odkręcając lub dokręcając przednie nóżki (patrz rysunek); kąt nachylenia, zmierzony na górnym blacie pralki nie powinien przekraczać 2°.

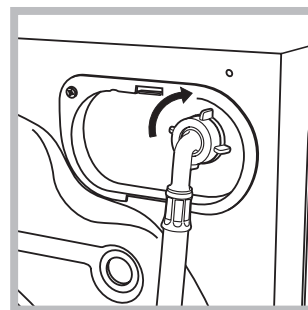
Staranne wypoziomowanie pralki zapewnia jej stabilność i zapobiega wibracjom, hałasowi oraz przesuwaniu się maszyny w czasie pracy. W razie ustawienia na dywanie lub wykładzinie dywanowej należy tak wyregulować nóżki, aby pod pralką pozostawała wolna przestrzeń niezbędna dla wentylacji.

Podłączenia hydrauliczne i elektryczne

Podłączenie przewodu doprowadzającego wodę



1. Wsunąć uszczelkę A do końcówki rury pobierania wody i przykręcić ją do kurka zimnej wody ogwintowanym otworze 3/4" (zobacz rysunek). Przed podłączeniem spuszczać wodę do momentu, aż stanie się ona całkowicie przezroczysta.



2. Podłączyć do maszyny przewód doprowadzający wodę, przykręcając go do odpowiedniego otworu dopływowego, znajdującego się w tylnej części pralki, z prawej strony u góry (patrz rysunek).

3. Zwrócić uwagę, aby na przewodzie nie było zagięć ani zwężeń.

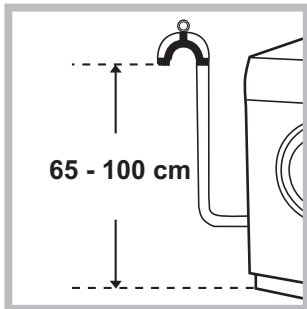
! Ciśnienie wody w kurku powinno mieścić się w przedziale podanym w tabeli Danych technicznych (patrz strona obok).

! Jeśli długość przewodu doprowadzającego wodę jest niewystarczająca, należy zwrócić się do specjalistycznego sklepu lub do autoryzowanego technika.

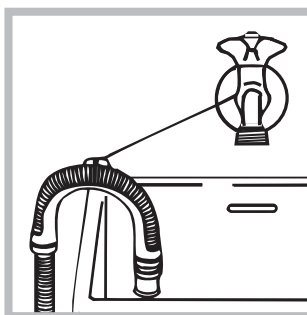
! Nigdy nie instalować już używanych przewodów.

! Stosować przewody znajdujące się w wyposażeniu maszyny.

Podłączenie przewodu odpływowego



Podłączyć przewód odpływowy, nie zginając go, do rury ściekowej lub do otworu odpływowego w ścianie, które powinny znajdować się na wysokości od 65 do 100 cm od podłogi;



Alternatywnie można oprzeć rurę odpływową na brzegu umywalki lub wanny, przymocowując przewodnicę (można ją zakupić w punkcie serwisowym) do kurka (zob. rysunek). Wolny koniec przewodu odpływowego

nie powinien być zanurzony w wodzie.

! Odradza się stosowanie przewodów przedłużających; jeśli to konieczne, przewód przedłużający powinien mieć taką samą średnicę jak oryginalny, a jego długość nie może przekraczać 150 cm.

Podłączenie elektryczne

Przed włożeniem wtyczki do gniazdka elektrycznego należy się upewnić, czy:

- gniazdko posiada uziemienie i jest zgodne z obowiązującymi przepisami;
- gniazdko jest w stanie wytrzymać maksymalne obciążenie mocy maszyny, wskazane w tabeli Danych technicznych (*patrz obok*);
- napięcie zasilania mieści się w wartościach wskazanych w tabeli Danych technicznych (*patrz obok*);
- gniazdko pasuje do wtyczki pralki. W przeciwnym razie należy wymienić gniazdko lub wtyczkę.

! Nie należy instalować pralki na otwartym powietrzu, nawet w osłoniętym miejscu, gdyż wystawienie urządzenia na działanie deszczu i burz jest bardzo niebezpieczne.

! Po zainstalowaniu pralki gniazdko elektryczne powinno być łatwo dostępne.

! Nie używać przedłużaczy ani rozgałęźników.

! Przewód nie powinien być pozginany ani przygnieciony.

! Przewód zasilania elektrycznego może być wymieniany wyłącznie przez autoryzowanych techników.

Uwaga! Producent nie ponosi żadnej odpowiedzialności w przypadku nieprzestrzeżenia powyższych zasad.

Pierwszy cykl prania

Po zainstalowaniu pralki, przed przystąpieniem do jej użytkowania, należy wykonać jeden cykl prania ze środkiem piorącym, ale bez wsadu, nastawiając program 2.

Dane techniczne

| | |
|---|---|
| Model | IWSB 61051 |
| Wymiary | szerokość cm 59,5 wysokość cm 85 głębokość cm 40 |
| Pojemność | od 1 do 6 kg |
| Dane prądu elektrycznego | dane techniczne umieszczone są na tabliczce na maszynie |
| Dane sieci wodociągowej | Maksymalne ciśnienie 1 MPa (10 barów) ciśnienie minimalne 0,05 MPa (0,5 barów) pojemność bębna 40 litrów |
| Szybkość wirowania | do 1000 obrotów na minutę |
| Programy testowe zgodnie z regulaminem 1061/2010 i 1015/2010 | Program 2: Bawełna 60°C. Program 3: Bawełna 40°C. |
|   | Urządzenie to zostało wyprodukowane zgodnie z następującymi przepisami CE: - EMC - 2014/30/EU (o Kompatybilności Elektromagnetycznej) - 2012/19/EU (WEEE) - LVD - 2014/35/EU (o Niskim Napięciu) |

Utrzymanie i konserwacja

PL

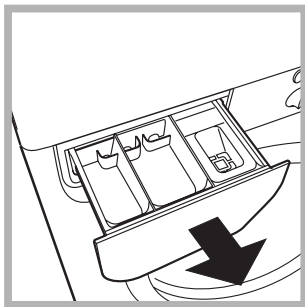
Odlączenie wody i prądu elektrycznego

- Zamknąć kurek dopływu wody po każdym praniu. W ten sposób zmniejsza się zużycie instalacji hydraulicznej pralki oraz eliminuje się niebezpieczeństwo wycieków.
- Przed przystąpieniem do czyszczenia pralki oraz do czynności konserwacyjnych wyjąć wtyczkę z gniazdka.

Czyszczenie pralki

Obudowę zewnętrzną i gumowe części pralki można myć ściereczką zmoczoną w letniej wodzie z mydłem. Nie stosować rozpuszczalników ani ściernych środków czyszczących.

Czyszczenie szufladki na środki piorące



Wysunąć szufladkę, unosząc ją lekko ku górze i wyciągając na zewnątrz (patrz rysunek). Wypłukać szufladkę pod bieżącą wodą. Czynność tę należy wykonywać stosunkowo często.

Konserwacja okrągłych drzwiczek i bębna

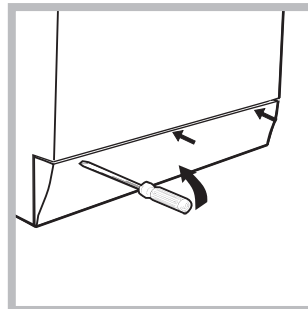
- Drzwiczki pralki należy zawsze pozostawiać uchylone, aby zapobiec tworzeniu się nieprzyjemnych zapachów.

Czyszczenie pompy

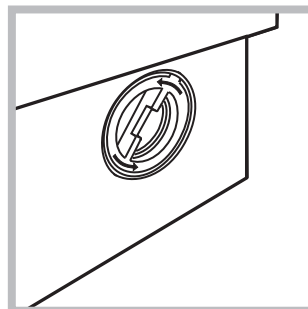
Pralka wyposażona jest w pompę samoczyszczącą, która nie wymaga zabiegów konserwacyjnych. Może się jednak zdarzyć, że drobne przedmioty (monety, guziki) wpadną do komory wstępnej zabezpieczającej pompę, która znajduje się w jej dolnej części.

! Należy się upewnić, że cykl prania został zakończony i wyjąć wtyczkę z gniazdka.

Aby dostać się do komory wstępnej:



1. zdjąć panel pokrywy z przedniej strony pralki przy pomocy śrubokrętu (patrz rysunek);



2. odkręcić pokrywę, obracając ją w kierunku przeciwnym do ruchu wskazówek zegara (patrz rysunek): wypłynięcie niewielkiej ilości wody jest normalnym zjawiskiem;

3. dokładnie wyczyścić wnętrze;
4. ponownie przykręcić pokrywę;
5. ponownie założyć panel upewniwszy się, przed dociśnięciem go do maszyny, czy zatrzaski zostały umieszczone w odpowiednich otworach.

Kontrola przewodu doprowadzającego wodę

Przynajmniej raz w roku należy sprawdzić przewód doprowadzający wodę. Jeśli widoczne są na nim pęknięcia i rysy, należy go wymienić: w trakcie prania duże ciśnienie może bowiem spowodować jego nagłe zerwanie.

! Nigdy nie instalować już używanych przewodów.

! Pralka została zaprojektowana i wyprodukowana zgodnie z międzynarodowymi normami bezpieczeństwa. Niniejsze ostrzeżenia zostały tu zamieszczone ze względów bezpieczeństwa i należy je uważnie przeczytać.

Ogólne zasady bezpieczeństwa

- Urządzenie to zostało zaprojektowane wyłącznie do użytkowania w warunkach domowych.
- Z niniejszego urządzenia mogą korzystać dzieci powyżej 8 roku życia i osoby o ograniczonych zdolnościach fizycznych, zmysłowych bądź umysłowych, jak również osoby nieposiadające doświadczenia lub znajomości urządzenia, jeśli znajdują się one pod nadzorem innych osób lub jeśli zostały pouczone na temat bezpiecznego sposobu użycia urządzenia oraz zdają sobie sprawę ze związanych z nim zagrożeń. Dzieci nie powinny bawić się urządzeniem. Prace związane z czyszczeniem i konserwacją nie mogą być wykonywane przez dzieci, jeśli nie są one nadzorowane.
- Nie dotykać pralki, stojąc przy niej boso lub mając mokre lub wilgotne ręce albo stopy.
- Nie wyjmować wtyczki z gniazdka, ciągnąc za kabel, lecz trzymając za wtyczkę.
- W trakcie pracy maszyny nie otwierać szufladki na środki piorące.
- Nie dotykać odprowadzanej wody, gdyż może ona osiągać wysokie temperatury.
- W żadnym wypadku nie otwierać okrągłych drzwiczek pralki na siłę: grozi to uszkodzeniem mechanizmu zabezpieczającego drzwiczki przed przypadkowym otwarciem.
- W razie wystąpienia usterki nie należy w żadnym wypadku próbować dostać się do wewnętrznych części pralki z zamiarem samodzielnego dokonania naprawy.
- Zawsze uważać, aby dzieci nie zbliżały się do pracującej pralki.
- W czasie prania okrągłe drzwiczki pralki nagrzewają się.
- Jeśli trzeba przenieść pralkę w inne miejsce, należy to robić bardzo ostrożnie, w dwie lub trzy osoby. Nigdy nie przenosić pralki samodzielnie, gdyż jest ona bardzo ciężka.
- Przed włożeniem bielizny sprawdzić, czy bęben jest pusty.

Utylizacja

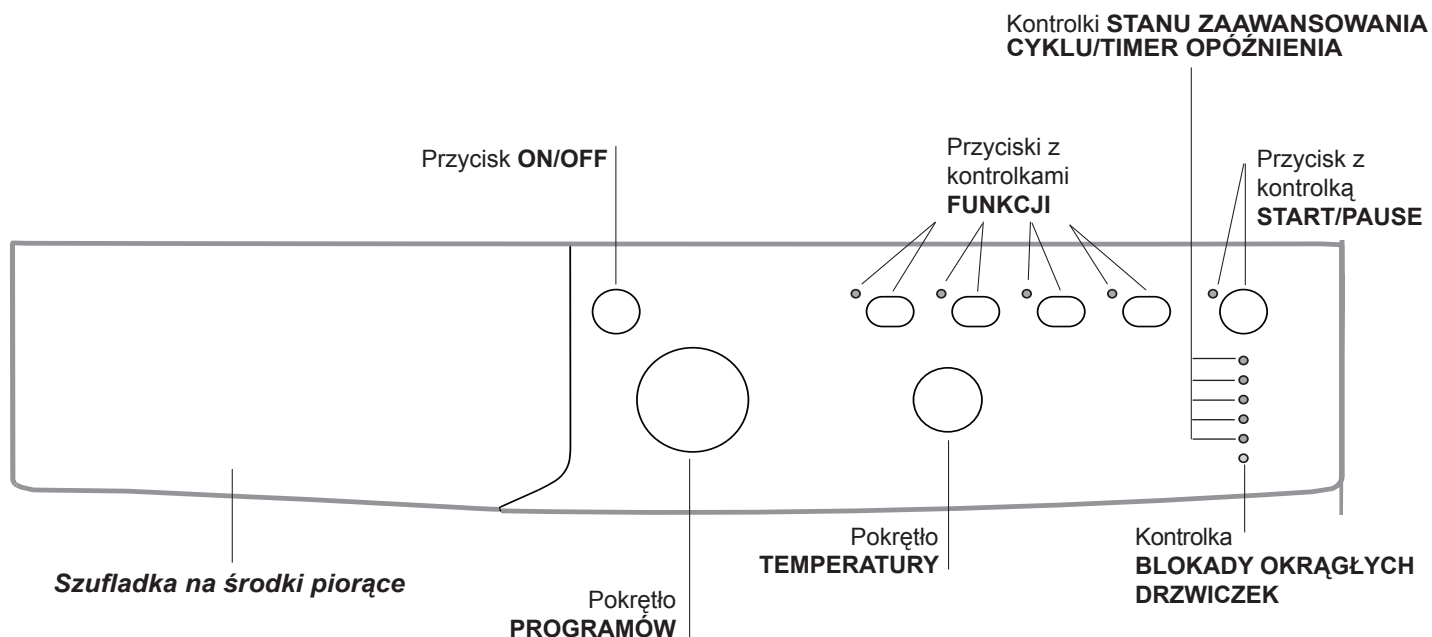
- Utylizacja opakowania: stosować się do lokalnych przepisów, dzięki temu opakowanie będzie mogło zostać ponownie wykorzystane.
- Europejska Dyrektywa 2012/19/EU WEEE dotycząca Zużytych Elektrycznych i Elektronicznych Urządzeń zakłada zakaz pozbywania się starych urządzeń domowego użytku jako nieposortowanych śmieci komunalnych. Zużyte urządzenia muszą być osobno zbierane i sortowane w celu zoptymalizowania odzyskania oraz ponownego przetworzenia pewnych komponentów i materiałów. Pozwala to ograniczyć zanieczyszczenie środowiska i pozytywnie

wpływa na ludzkie zdrowie. Przekreślony symbol „kosza” umieszczony na produkcie przypomina klientowi o obowiązku specjalnego sortowania.

Konsumenci powinni kontaktować się z władzami lokalnymi lub sprzedawcą w celu uzyskania informacji dotyczących postępowania z ich zużytymi urządzeniami gospodarstwa domowego.

Opis pralki i uruchamianie programu

Panel sterowania



Szufladka na środki piorące: do dozowania środków piorących i dodatków (patrz „Środki piorące i bielizna”).

Przycisk ON/OFF: do włączania i wyłączania pralki.

Pokrętko PROGRAMÓW: do ustawiania programów. W czasie trwania programu pokrętko pozostaje nieruchome.

Przyciski z kontrolkami FUNKCJI: do wyboru dostępnych funkcji. Kontrolka wybranej funkcji pozostaje zaświecona.

Pokrętko TEMPERATURY: do regulacji temperatury prania lub do nastawienia prania w zimnej wodzie (patrz „Personalizacja”).


Kontrolki STANU ZAAWANSOWANIA CYKLU/TIMER OPÓŹNIENIA: umożliwiają kontrolę stanu zaawansowania programu prania.

Zapalona kontrolka wskazuje bieżącą fazę.

Jeśli nastawiona została funkcja „Timer opóźnienia”, kontrolki wskażą czas pozostający do uruchomienia się programu (patrz strona obok).

Kontrolka BLOKADY OKRĄGLYCH DRZWICZEK: pozwala sprawdzić czy możliwe jest otwarcie okrągłych drzwiczek (patrz strona obok).

Przycisk z kontrolką START/PAUSE: do uruchamiania programów lub ich chwilowego przerywania.

N.B.: aby przerwać wykonywane pranie, należy nacisnąć ten przycisk, jego kontrolka zacznie pulsować na pomarańczowo, natomiast kontrolka bieżącej fazy będzie świecić ciągłym światłem. Jeśli kontrolka BLOKADY OKRĄGLYCH DRZWICZEK  jest wyłączona, można otworzyć drzwiczki pralki (odczekać około 3 minuty). W celu ponownego uruchomienia prania od momentu, w którym zostało ono przerywane, należy ponownie nacisnąć ten przycisk.

Funkcja stand by

Pralka ta, w myśl nowych norm europejskich związanych z oszczędnością elektryczną, posiada system auto wyłączenia (stand by), który włącza się po 30 minutach nie użytkowania. Ponownie lekko wcisnąć przycisk ON/OFF i poczekać, aż pralka ponownie włączy się.

Kontrolki

Kontrolki dostarczają ważnych informacji. Oto co sygnalizują:

Timer opóźnienia

Jeśli została włączona funkcja „Timer opóźnienia” (*patrz „Personalizacja”*), po uruchomieniu programu zacznie pulsować kontrolka wybranego opóźnienia:

3h 

6h 

9h 

12h 

Stopniowo wskazywany będzie, poprzez pulsowanie odpowiedniej kontrolki, czas pozostający do rozpoczęcia cyklu prania.

3h 

6h 

9h 

12h 

Po upływie wybranego czasu opóźnienia rozpocznie się ustawiony program.

Kontrolki bieżącej fazy prania:

Po wybraniu i uruchomieniużądanego cyklu prania kontrolki będą się kolejno zapalać, wskazując stan zaawansowania programu:

Pranie 

Płukanie 

Wirowanie 

Wydalanie wody 

Koniec prania 

Przyciski funkcyjne i ich kontrolki


Po dokonaniu wyboru funkcji jej kontrolka zaświeci się. W przypadku wyboru funkcji niezgodnej z ustawionym programem jej kontrolka zacznie pulsować i funkcja nie włączy się.

Jeśli wybrana funkcja nie jest zgodna z inną, ustawioną uprzednio, kontrolka odpowiadająca pierwszej funkcji będzie pulsowała i uruchomiona zostanie jedynie druga funkcja a kontrolka uruchomionej funkcji zaświeci się.

Kontrolka blokady okrągłych drzwiczek

Włączona kontrolka wskazuje, że drzwiczki zostały zablokowane w celu uniemożliwienia ich otwarcia; aby można było otworzyć drzwiczki, kontrolka musi być wyłączona; (odczekać około 3 minuty). Aby otworzyć drzwiczki w trakcie wykonywania cyklu należy nacisnąć przycisk START/PAUSE; jeśli kontrolka BLOKADY OKRĄGŁYCH DRZWICZEK jest wyłączona, można otworzyć drzwiczki.

Uruchamianie programu

1. Włączyć pralkę, naciskając przycisk WŁĄCZANIE / WYŁĄCZANIE . Wszystkie kontrolki zapalą się na kilka sekund, następnie wyłączą się i zacznie pulsować kontrolka START/PAUSE.
2. Załadować bieliznę i zamknąć drzwiczki pralki.
3. Ustawić żądany program przy pomocy pokrętła PROGRAMÓW.
4. Ustawić temperaturę prania (*patrz „Personalizacja”*).
5. Wsypać środek piorący i dodatki (*patrz „Środki piorące i bielizna”*).
6. Wybrać żądane funkcje.
7. Uruchomić program naciskając przycisk START/PAUSE, kontrolka programu będzie świecić ciągłym światłem w kolorze zielonym. Aby anulować ustawiony cykl, należy chwilowo zatrzymać urządzenie, naciskając przycisk START/PAUSE, i wybrać nowy cykl.
8. Po zakończeniu programu zapali się kontrolka END. Po zgaśnięciu kontrolki BLOKADY OKRĄGŁYCH DRZWICZEK  można otworzyć drzwiczki (odczekać około 3 minuty). Wyjąć bieliznę i pozostawić drzwiczki pralki uchylone, aby bęben mógł wyschnąć. Wyłączyć pralkę, naciskając przycisk ON/OFF.

Programy

PL

Tabela programów

| Programy | Opis programu | Temp. max (°C) | Prędkość max (obrotów na minutę) | Środki piorące | | | Ładunek max (kg) | Wilgotność resztkowa % | Zużycie energii kWh | Woda łącznie lt | Czas trwania cyklu |
|---------------------------|--|----------------|----------------------------------|----------------|--------|-----------|------------------|------------------------|---------------------|-----------------|--------------------|
| | | | | Pranie Wstępne | Pranie | Wybielacz | | | | | |
| Codzienne | | | | | | | | | | | |
| 1 | Bawełna z praniem Wstępny: bielizna biała silnie zabrudzona. | 90° | 1000 | ● | ● | ● | 6 | 62 | 1,81 | 65 | 150' |
| 2 | Bawełna 60°C (1): tkaniny białe i kolorowe, wytrzymałe, mocno zabrudzone. | 60° (Max. 90°) | 1000 | - | ● | ● | 6 | 62 | 1,04 | 48,0 | 205' |
| 3 | Bawełna 40°C (2): tkaniny białe i kolorowe, delikatne, lekko zabrudzone. | 40° | 1000 | - | ● | ● | 6 | 62 | 1,03 | 65 | 190' |
| 4 | Białe syntetyki (1): tkaniny kolorowe, wytrzymałe, mocno zabrudzone. | 60° | 800 | - | ● | ● | 3 | 44 | 0,70 | 40 | 105' |
| 4 | Białe syntetyki (3): tkaniny kolorowe, wytrzymałe, lekko zabrudzone. | 40° | 800 | - | ● | ● | 3 | 44 | 0,47 | 38 | 95' |
| 5 | Kolorowa bawełna: tkaniny białe lekko zabrudzone i delikatne kolorowe. | 40° | 1000 | - | ● | ● | 6 | 62 | 0,64 | 50 | 85' |
| 20° Zone | | | | | | | | | | | |
| 6 | Bawełna 20°C: tkaniny białe i kolorowe, delikatne, lekko zabrudzone. | 20° | 1000 | - | ● | ● | 6 | - | - | - | 170' |
| 7 | Mix Light | 20° | 800 | - | ● | ● | 6 | - | - | - | 120' |
| 8 | 20' odświeżanie | 20° | 800 | - | ● | ● | 1,5 | - | - | - | 20' |
| Specjalne | | | | | | | | | | | |
| 9 | Jedwab/Firanki: do jedwabiu, wiskozy, bielizny. | 30° | 0 | - | ● | ● | 1 | - | - | - | 55' |
| 10 | Wełna: do wełny, kaszmiru, itp. | 40° | 800 | - | ● | ● | 1 | - | - | - | 65' |
| 11 | Jeans | 40° | 800 | - | ● | ● | 2,5 | - | - | - | 70' |
| Sportowe | | | | | | | | | | | |
| 12 | Sport Intensive | 30° | 600 | - | ● | ● | 2,5 | - | - | - | 85' |
| 13 | Sport Light | 30° | 600 | - | ● | ● | 2,5 | - | - | - | 60' |
| 14 | Specjalny Obuwie | 30° | 600 | - | ● | ● | Maks. 2 pary. | - | - | - | 55' |
| Programy częściowe | | | | | | | | | | | |
| | Płukanie | - | 1000 | - | - | ● | 6 | - | - | - | 36' |
| | Wirowanie + Odprowadzenie wody | - | 1000 | - | - | - | 6 | - | - | - | 16' |

Czas trwania cyklu wskazany na wyświetlaczu lub w instrukcji jest czasem oszacowanym dla standardowych warunków. Rzeczywisty czas trwania cyklu może się zmieniać w zależności od wielu czynników, takich jak temperatura i ciśnienie wody na wlocie, temperatura otoczenia, ilość detergentu, ilość i rodzaj pranej odzieży, wyważenie ładunku, wybrane opcje dodatkowe.

1) Program kontrolny zgodny z regulamin 1061/2010: ustawić program 2, wybierając temperaturę 60°C.

Ten cykl jest odpowiedni do prania średnio zabrudzonej odzieży bawełnianej i jest najbardziej wydajnym cyklem pod względem łącznego zużycia energii elektrycznej i wody; należy go używać do odzieży przeznaczonej do prania w 60°C. Rzeczywista temperatura prania może się różnić od podanej.

2) Program kontrolny zgodny z regulamin 1061/2010: ustawić program 3, wybierając temperaturę 40°C.

Ten cykl jest odpowiedni do prania średnio zabrudzonej odzieży bawełnianej i jest najbardziej wydajnym cyklem pod względem łącznego zużycia energii elektrycznej i wody; należy go używać do odzieży przeznaczonej do prania w 40°C. Rzeczywista temperatura prania może się różnić od podanej.

Dla wszystkich Instytucji homologacyjnych:

2) Program bawełna, długi: ustawić program 3, wybierając temperaturę 40°C.

3) Program Syntetyczne, długi: ustawić program 4, wybierając temperaturę 40°C.

Sport Intensive (program 12): został opracowany do prania tkanin używanych do produkcji odzieży sportowej (dresów, krótkich spodenek itp.) o dużym stopniu zabrudzenia; dla uzyskania najlepszych rezultatów prania zaleca się nie przekraczać maksymalnego wsadu określonego w „Tabela programów”.

Sport Light (program 13): został opracowany do prania tkanin używanych do produkcji odzieży sportowej (dresów, krótkich spodenek itp.) o niewielkim stopniu zabrudzenia; dla uzyskania najlepszych rezultatów prania zaleca się nie przekraczać maksymalnego wsadu określonego w „Tabela programów”. Zaleca się stosowanie płynnych środków do prania, w ilości jak dla połowy wsadu.

Specjalny Obuwie (program 14): został opracowany do prania obuwia sportowego; dla uzyskania najlepszych rezultatów nie należy prac jednocześnie więcej niż 2 par obuwia.

Programy 20° (20° Zone) dają dobre rezultaty prania w niskich temperaturach, pozwalając na zmniejszenie zużycia energii elektrycznej, z korzyścią dla finansów domowych oraz środowiska. Programy 20° spełniają wszystkie wymagania:

Bawełna 20°C (program 6) idealny do zabrudzonej bielizny bawełnianej. Dobre wyniki prania w zimnej wodzie, porównywalne z praniem w 40°, są gwarantowane dzięki działaniu mechanicznemu, wykonywanemu ze zmienną prędkością, której maksymalne wartości powtarzają się w krótkich odstępach czasu.

Mix Light (program 7) idealny do normalnie zabrudzonej bielizny mieszanej (tkaniny bawełniane i syntetyczne). Dobre wyniki prania, również w zimnej wodzie, są gwarantowane dzięki działaniu mechanicznemu, wykonywanemu ze zmienną prędkością w dłuższych i określonych odstępach czasu.

20' odświeżanie (program 8) cykl idealny do odświeżania i prania lekko zabrudzonej odzieży w kilka minut. Trwa tylko 20 minut, dzięki czemu oszczędza się energię elektryczną i czas. Pozwala prac razem tkaniny różnego rodzaju (z wyjątkiem wełny i jedwabiu), przy maksymalnym ładunku 1,5 kg.

Ustawianie temperatury

Obracając pokrętkiem TEMPERATURA ustawia się temperaturę prania (*patrz Tabela programów*).

Temperaturę można zmniejszać, aż do prania w zimnej wodzie ❄.

Pralka automatycznie uniemożliwi ustawienie temperatury wyższej od maksymalnej temperatury przewidzianej dla danego programu.

! Wyjątek: wybierając program 2 temperaturę można podnieść aż do 90°.

Funkcje

Różne funkcje, w jakie wyposażona jest pralka, pozwalają na uzyskanie oczekiwanej czystości i bieli prania.

Aby włączyć poszczególne funkcje, należy:

1. nacisnąć przycisk odpowiadający żądanej funkcji;
2. zapalenie się jego kontrolki sygnalizuje, że funkcja jest włączona.

Uwaga:

- W przypadku wyboru funkcji niezgodnej z ustawionym programem jej kontrolka zacznie pulsować i funkcja nie włączy się.
- Jeśli wybrana funkcja nie jest zgodna z inną, ustawioną uprzednio, kontrolka odpowiadająca pierwszej funkcji będzie pulsowała i uruchomiona zostanie jedynie druga funkcja a kontrolka uruchomionej funkcji zaświeci się.

Ec@Time

W przypadku wyboru tej opcji ruchu bębna, temperatura i woda są dostosowywane do niedużego wsadu tkanin bawełnianych i syntetycznych, o niewielkim stopniu zabrudzenia (*patrz „Tabela programów”*). “Ec@Time” możesz prac szybciej, oszczędzając wodę i energię. Zaleca się stosować płynny środek do prania, dostosowując jego ilość do ilości wsadu.

Energy Saver

Funkcja Energy Saver umożliwia oszczędności pod względem zużywanej energii, nie podgrzewając wody używanej do prania, co niesie za sobą korzyści zarówno dla środowiska naturalnego, jak i dla rachunku za prąd. Wzmocniona siła działania i zoptymalizowane zużycie wody gwarantują doskonałe rezultaty przy długości cyklu takiej samej, jak w przypadku cyklu standard. Aby uzyskać jak najlepsze rezultaty, zalecamy korzystać z płynu do prania.

Ⓢ 1000-500

Naciśnij ten przycisk, aby zmniejszyć prędkość wirowania.

🕒 Timer opóźnienia

Opóźnia uruchomienie urządzenia aż do 12 godzin.

Należy kilkakrotnie nacisnąć przycisk, aż do zaświecenia się kontrolki odpowiadającej żądanemu opóźnieniu. Po piątym naciśnięciu przycisku funkcja wyłącza się.

N.B.: po naciśnięciu przycisku START/PAUSE można zmienić wartość opóźnienia tylko na mniejszą, aż do uruchomienia ustawionego programu.

Środki piorące i bielizna

PL

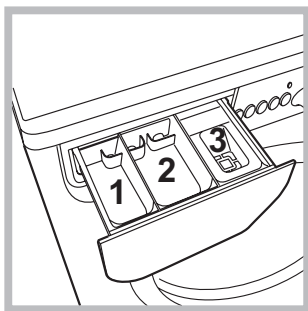
Szufladka na środki piorące

Dobry rezultat prania zależy również od prawidłowego dozowania środka piorącego: użycie jego nadmiernej ilości nie poprawia skuteczności prania, lecz przyczynia się do powstawania nalotów na wewnętrznych częściach pralki i do zanieczyszczania środowiska.

! Nie stosować środków do prania ręcznego, ponieważ tworzą one za dużo piany.

! Środki piorące w proszku należy stosować do tkanin z białej bawełny i do prania wstępного oraz do prania w temperaturze przekraczającej 60°C.

! Należy stosować się do zaleceń podanych na opakowaniu środka piorącego.



Wysunąć szufladkę i umieścić w niej środek piorący lub dodatkowy w następujący sposób.

przegródka 1: Środek piorący do prania wstępnego (w proszku)

przegródka 2: Środek piorący do prania właściwego (w proszku lub w płynie)

Płynny środek do prania należy wlać dopiero przed samym uruchomieniem programu.

przegródka 3: Środki dodatkowe (zmiękczające, itp.)

Środek zmiękczający nie powinien wypływać poza kratkę.

Przygotowanie bielizny

- Podzielić bieliznę do prania według:
 - rodzaju tkaniny / symbolu na etykiecie.
 - kolorów: oddzielić tkaniny kolorowe od białych.
- Opróżnić kieszenie i sprawdzić guziki.
- Nie przekraczać wartości wskazanych w „Tabela programów” odnoszących się do ciężaru bielizny suchej.


Ile waży bielizna?

- 1 prześcieradło 400-500 gr.
- 1 poszewka 150-200 gr.
- 1 obrus 400-500 gr.
- 1 szlafrok 900-1.200 gr.
- 1 ręcznik 150-250 gr.

Tkaniny wymagające szczególnego traktowania

Jedwab: stosować odpowiedni program **9** do prania wszelkiego rodzaju wyrobów z jedwabiu. Zaleca się stosowanie specjalnego środka piorącego do tkanin delikatnych.

Firanki: włożyć je złożone do poszewki lub do siatkowatego worka. Stosować program **9**.

Wełna: za pomocą programu **10** można prać w pralce także odzież wełnianą, również tę opatrzoną etykietą „tylko pranie ręczne” . Aby uzyskać jak najlepsze rezultaty, należy stosować specjalny środek do prania i nie przekraczać wsadu 1 kg.

Jeans: przed praniem odwrócić odzież na lewą stronę, stosować płynny środek do prania. Używać programu **11**.

System równoważenia ładunku

Przed każdym wirowaniem, aby uniknąć nadmiernych drgań oraz jednorodnie rozłożyć wsad, bęben wykonuje obroty z prędkością nieco większą niż podczas prania. Jeśli pomimo kolejnych prób wsad nie zostanie równomiernie rozłożony, maszyna wykona wirowanie z prędkością mniejszą od przewidzianej. W przypadku nadmiernego niezrównoważenia pralka wykona rozłożenie wsadu zamiast wirowania. Aby zapewnić lepsze rozłożenie wsadu oraz jego właściwe zrównoważenie, zaleca się wymieszanie dużych i małych sztuk bielizny.

Nieprawidłowości w działaniu ⓘ INDESIT i sposoby ich usuwania

Może się zdarzyć, że pralka nie działa. Przed wezwaniem Serwisu Technicznego (*patrz „Serwis Techniczny”*) należy sprawdzić, czy problemu nie da się łatwo rozwiązać przy pomocy poniższego wykazu.

Nieprawidłowości w działaniu: **Możliwe przyczyny / Rozwiązania:**

Pralka nie włącza się.

- Wtyczka nie jest włączona do gniazdka lub jest wsunięta za słabo, tak że nie ma styku.
- W domu nastąpiła przerwa w dostawie prądu.

Cykl prania nie rozpoczyna się.

- Drzwiczki pralki nie są dobrze zamknięte.
- Nie został wciśnięty przycisk ON/OFF.
- Nie został wciśnięty przycisk START/PAUSE.
- Kurek dopływu wody jest zamknięty.
- Zostało nastawione opóźnienie startu (*patrz „Personalizacja”*).

Pralka nie pobiera wody (szybko pulsuje kontrolka pierwszej fazy prania).

- Przewód doprowadzający wodę nie jest podłączony do kurka.
- Przewód jest zgięty.
- Kurek dopływu wody jest zamknięty.
- W domu nastąpiła przerwa w dostawie wody.
- Ciśnienie wody nie jest wystarczające.
- Nie został wciśnięty przycisk START/PAUSE.

Pralka cały czas pobiera i odprowadza wodę.

- Przewód odpływowy nie został zainstalowany na wysokości między 65 a 100 cm od podłogi (*patrz „Instalacja”*).
 - Końcówka przewodu odpływowego jest zanurzona w wodzie (*patrz „Instalacja”*).
 - Otwór odpływowy w ścianie nie posiada odpowietrznika.
- Jeśli po sprawdzeniu tych możliwości problem nie zostanie rozwiązany, należy zamknąć kurek dopływu wody, wyłączyć pralkę i wezwać Serwis Techniczny. Jeśli mieszkanie znajduje się na najwyższych piętrach budynku, może wystąpić efekt syfonu, w wyniku którego pralka cały czas pobiera i odprowadza wodę. W celu wyeliminowania tej niedogodności należy zakupić specjalny zawór, zapobiegający powstawaniu efektu syfonu.

Pralka nie odprowadza wody i nie odwirowuje prania.

- Program nie przewiduje odprowadzania wody: w przypadku niektórych programów należy uruchomić je ręcznie.
- Przewód odpływowy jest zgięty (*patrz „Instalacja”*).
- Instalacja odpływowa jest zatkana.

Pralka mocno wibruje w fazie wirowania.

- Podczas instalacji pralki bęben nie został prawidłowo odblokowany (*patrz „Instalacja”*).
- Pralka nie jest właściwie wypoziomowana (*patrz „Instalacja”*).
- Pralka, zainstalowana pomiędzy meblami a ścianą, ma za mało miejsca (*patrz „Instalacja”*).

Z pralki wycieka woda.

- Przewód doprowadzający wodę nie jest dobrze przykręcony (*patrz „Instalacja”*).
- Szufładka na środki piorące jest zatkana (w celu jej oczyszczenia *patrz „Utrzymanie i konserwacja”*).
- Przewód odpływowy nie jest dobrze zamocowany (*patrz „Instalacja”*).

Kontrolki “opcji” i kontrolka “START/PAUSE” migają i jedna z kontrolek “faza w toku” jak i “BLOKADY OKRĄGLYCH DRZWICZEK” będą świeciły się w sposób ciągły.

- Wyłączyć maszynę i wyjąć wtyczkę z gniazdka, odczekać około 1 minuty, następnie włączyć ją ponownie. Jeśli problem nie ustępuje, należy wezwać Serwis Techniczny.

Tworzy się zbyt duża ilość piany.

- Środek piorący nie jest odpowiedni do pralek automatycznych (na opakowaniu musi być umieszczony napis: „do pralek”, „do prania ręcznego i w pralce” lub podobny).
- Użyto za dużo środka piorącego.

Serwis Techniczny

PL

Przed skontaktowaniem się z Serwisem Technicznym:

- Sprawdzić, czy problemu nie można rozwiązać samodzielnie (patrz „Nieprawidłowości w działaniu i sposoby ich usuwania”);
- Ponownie uruchomić program i sprawdzić, czy problem nie zniknął;
- Jeśli nie, zwrócić się do autoryzowanego Serwisu Technicznego, dzwoniąc pod numer podany w karcie gwarancyjnej.

! Nigdy nie wzywać nieautoryzowanych techników.

Należy podać:

- rodzaj nieprawidłowości;
- model maszyny (Mod.);
- numer seryjny (S/N).

Informacje te znajdują się na tabliczce umieszczonej w tylnej części pralki oraz widocznej z przodu po otwarciu drzwiczek.

| ROZPORZĄDZENIE DELEGOWANE KOMISJI (UE) NR 1061/2010 | |
|---|------------------------|
| Nazwa dostawcy | INDESIT |
| Nazwa modelu | IWSB 61051 C ECO EU |
| Pojemność znamionowa w kg | 6 |
| Klasa efektywności energetycznej w skali od A+++ (niskie zużycie) do G (wysokie zużycie) | A+ |
| Roczne zużycie energii w kWh rocznie ¹⁾ | 196 |
| Zużycie energii w przypadku standardowego programu prania tkanin bawełnianych w 60 °C przy pełnym załadunku ²⁾ | 1.066 |
| Zużycie energii w przypadku standardowego programu prania tkanin bawełnianych w 60 °C przy częściowym załadunku ²⁾ | 0.731 |
| Zużycie energii w przypadku standardowego programu prania tkanin bawełnianych w 40 °C przy częściowym załadunku ²⁾ | 0.653 |
| Zużycie energii w trybie wyłączenia | 0.5 |
| Zużycie energii w trybie czuwania | 8 |
| Roczne zużycie wody w litrach ³⁾ | 8118 |
| Klasa efektywności wirowania w skali od A (najwyższa efektywność) do G (najniższa efektywność) | C |
| Maksymalna szybkość wirowania ⁴⁾ | 1000 |
| Uzyskana wilgotność ⁵⁾ | 62.0% |
| Czas w min standardowego programu prania tkanin bawełnianych w 60 °C przy pełnym załadunku. | 230 |
| Czas w min standardowego programu prania tkanin bawełnianych w 60 °C przy częściowym załadunku. | 175 |
| Czas w min standardowego programu prania tkanin bawełnianych w 40 °C przy częściowym załadunku. | 170 |
| Czas trwania trybu czuwania | 30 |
| Poziom emitowanego hałasu podczas prania w dB(A) ⁶⁾ | 60 |
| Poziom emitowanego hałasu podczas wirowania w dB(A) ⁶⁾ | 76 |
| Model przeznaczony do zabudowy | |

¹⁾ Standardowy program prania tkanin bawełnianych w 60 °C i „standardowy program prania tkanin bawełnianych w 40 °C” stanowią standardowe programy prania, do których odnoszą się informacje na etykiecie i w karcie, że są one odpowiednie do prania tkanin bawełnianych normalnie zabrudzonych oraz że są najbardziej efektywnymi programami pod względem łącznego zużycia energii i wody. Częściowy załadunek jest połową pełnego załadunku znamionowego.

²⁾ Na podstawie 220 standardowych cykli prania w przypadku programów prania tkanin bawełnianych w 60 °C i 40 °C przy pełnym i częściowym załadunku oraz zużycie w trybach niskiego zużycia energii. Rzeczywiste zużycie energii zależy od sposobu użytkowania urządzenia.

³⁾ Na podstawie 220 standardowych cykli prania w przypadku programów prania tkanin bawełnianych w 60 °C i 40 °C przy pełnym i częściowym załadunku. Rzeczywiste zużycie wody zależy od sposobu użytkowania urządzenia.

⁴⁾ W przypadku standardowego programu prania tkanin bawełnianych w 60 °C przy pełnym załadunku oraz standardowego programu prania tkanin bawełnianych w 40 °C przy częściowym załadunku, w zależności od tego, która z tych wartości jest niższa,

⁵⁾ W przypadku standardowego programu prania tkanin bawełnianych w 60 °C przy pełnym załadunku lub standardowego programu prania tkanin bawełnianych w 40 °C przy częściowym załadunku, w zależności od tego, która z tych wartości jest wyższa;

⁶⁾ Na podstawie hałasu powstającego podczas faz prania i wirowania, w przypadku standardowego programu prania tkanin bawełnianych w 60 °C.

HU

Magyar

IWSB 61051

HU

Összefoglalás

Üzembe helyezés, 62-63

Kicsomagolás és vízszintbe állítás
Víz- és elektromos csatlakozás
Első mosási ciklus
Műszaki adatok

Karbantartás és ápolás, 64

A víz elzárása és az elektromos áram kikapcsolása
A mosógép tisztítása
A mosószer-adagoló fiók tisztítása
Az ajtó és a forgódob ápolása
A szivattyú tisztítása
A vízbevezető cső ellenőrzése

Óvintézkedések és tanácsok, 65

Általános biztonság
Hulladékelhelyezés

A mosógép leírása és program elindítása, 66-67

Kezelőpanel
Jelzőlámpák
Program elindítása

Programok, 68

Programtáblázat

Egyéni beállítások, 69

A hőmérséklet beállítása
Funkciók

Mosószeresek és mosandók, 70

Mosószer-adagoló fiók
A mosandó ruhák előkészítése
Különleges bánásmódot igénylő ruhadarabok
A bepakolt ruhák kiegyensúlyozására szolgáló rendszer

Rendellenességek és elhárításuk, 71

Szerviz, 72

Üzembe helyezés

HU

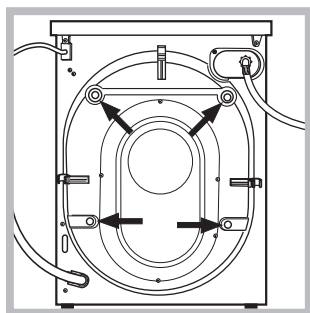
! Fontos, hogy megőrizze ezt a kézikönyvet, hogy mindig kéznél legyen. Ha a mosógépet eladná, átadná vagy másnál helyezné el, gondoskodjon arról, hogy e kézikönyv a mosógéppel együtt maradjon, hogy az új tulajdonos is megismerhesse a készülék funkcióit és az ezekre vonatkozó figyelmeztetéseket.

! Figyelmesen olvassa el az utasításokat: fontos információkat tartalmaznak az üzembe helyezésről, a használatról és a biztonságról.

Kicsomagolás és vízszintbe állítás

Kicsomagolás

1. Csomagolja ki a mosógépet.
2. Ellenőrizze, hogy a mosógép nem sérült-e meg a szállítás során. Ha a gépen sérülést talál, ne csatlakoztassa, és forduljon a viszonteladóhoz.



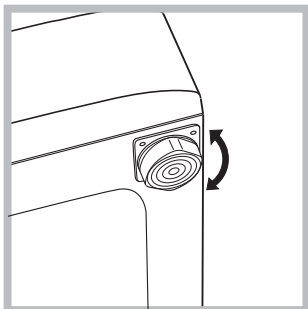
3. Csavarozza ki a gép hátsó részén található, a szállításhoz szükséges 4 védőcsavart, és távolítsa el a gumi-bakot (lásd ábra).

4. Zárja le a furatokat a mellékelt műanyag dugókkal.
5. Minden darabot őrizzen meg: ha a mosógépet szállítani kell, előtte ezeket vissza kell szerelni.

! A csomagolóanyag nem gyermekjáték!

Vízszintbe állítás

1. A mosógépet sík és kemény padlóra állítsa, úgy, hogy ne érjen falhoz, bútorhoz vagy másához.

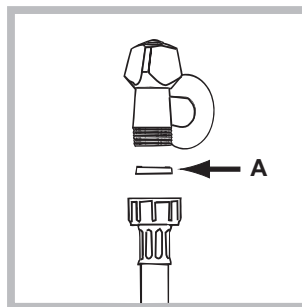


2. Ha a padló nem tökéletesen vízszintes, azt az első lábak be-, illetve kicsavarásával kompenzálhatja (lásd ábra). A gép felső burkolatán mért dőlés nem haladhatja meg a 2°-ot.

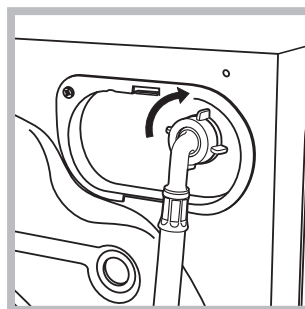
A pontos vízszintezés biztosítja a gép stabilitását, így az a működés során nem fog rezegni, zajt okozni, illetve elmozdulni. Szőnyegpadló vagy szőnyeg esetén a lábakat úgy állítsa be, hogy a mosógép alatt elegendő hely maradjon a szellőzésre.

Víz- és elektromos csatlakozás

Vízbevezető cső csatlakoztatása



1. Illessze az A tömitést a vízbevezető cső végére és csavarozza fel a 3/4"-os külső menettel rendelkező hidegvíz csapra (lásd ábra). A csatlakoztatás előtt eresszen ki a csapból vizet addig, amíg a víz teljesen átlátszóvá nem válik.



2. A vízbevezető cső csatlakoztatásához csavarozza a csövet a mosógép hátoldalán jobbra fent található vízbemeneti csomagra (lásd ábra)!

3. Ügyeljen arra, hogy a csövön ne legyen törés vagy szűkület!

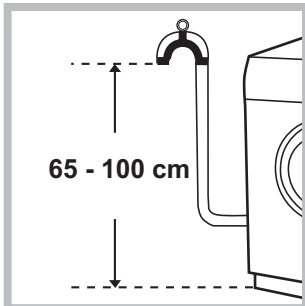
! A csap víznyomásának a műszaki adatok táblázatában szereplő határértékek között kell lennie (lásd a szemben lévő oldalt).

! Amennyiben a vízbevezető cső nem elég hosszú, forduljon szaküzlethez vagy engedéllyel rendelkező szakemberhez.

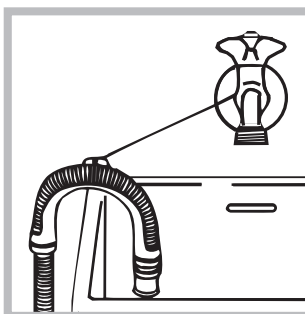
! Soha ne használjon korábban már használt csöveket.


! Használja a készülékhez mellékelteket.

A leeresztőcső csatlakoztatása



Csatlakoztassa a leeresztőcsövet a lefolyóhoz vagy a padlótól 65 és 100 cm közötti magasságban lévő fali szifonhoz anélkül, hogy megtörné;



Vagy helyezze a kifolyócsövet a mosdó vagy kád szélére, és erősítse az  vezetőt (melyet a műszaki ügyfélszolgálaton lehet megvásárolni) a csaphoz (lásd ábra). A leeresztőcső szabad végének nem szabad vízbe merülnie.

! Toldások használata nem javasolt. Amennyiben feltétlenül szükséges, a toldás átmérője egyezzen meg az eredeti csőével és semmiképpen se legyen 150 cm-nél hosszabb.

Elektromos csatlakoztatás

Mielőtt a csatlakozódugót az aljzatba dugná, bizonyosodjon meg arról, hogy:

- az aljzat földelése megfelel a törvény által előírtak;
- az aljzat képes elviselni a készülék műszaki adatait tartalmazó táblázatban megadott maximális teljesítményfelvételt (lásd szemben);
- a hálózat feszültsége a műszaki adatokat tartalmazó táblázatban szereplő értékek közé esik (lásd szemben);
- az aljzat kompatibilis a mosógép csatlakozódugójával. Ellenkező esetben cserélje ki az aljzatot vagy a csatlakozódugót!

! A mosógép nem állítható fel nyílt téren, még akkor sem, ha tető van fölötte, mivel nagyon veszélyes, ha a gép esőnek vagy zivataroknak van kitéve.

! A csatlakozódugónak a mosógép üzembe helyezett állapotában is könnyen elérhető helyen kell lennie.

! Ne használjon hosszabbítót vagy elosztót.
! A kábel ne legyen se megtörve, se összenyomva.



! A tápkábelt csak engedéllyel rendelkező szakember cserélheti.

Figyelem! A fenti előírások figyelmen kívül hagyása esetén a gyártó elhárít minden felelősséget.

Első mosási ciklus

Üzembe helyezés után – mielőtt a mosógépet használni kezdené – mosószerrel, mosandó ruha nélkül futtassa le az 2-es mosási programot.

Műszaki adatok

| | |
|--|---|
| Modell | IWSB 61051 |
| Méret | szélesség 59,5 cm magasság 85 cm mélység 40 cm |
| Ruhatöltet: | 1-től 6 kg-ig |
| Elektromos csatlakozás | lásd a készüléken található, műszaki jellemzőket tartalmazó adattáblát! |
| Vízcsatlakozások | maximális nyomás 1 MPa (10 bar) minimális nyomás 0,05 MPa (0,5 bar) dob úrtartalma 40 lite |
| Centrifuga fordulatszám | 1000 fordulat/perc-ig |
| Az 1061/2010 és 1015/2010 rendeletek szerinti vízszingálási programok. | 2. program: normál 60°C-os pamutprogram. 3. program: normál 40°C-os pamutprogram. |
|  | Ez a berendezés megfelel a következő Uniós Előírásoknak: - EMC 2014/30/EU előírás (Elektromágneses összeférhetőség) - 2012/19/EU - WEEE - LVD 2014/35/EU (Alacsony feszültség) |
|  | |

Karbantartás és ápolás

HU

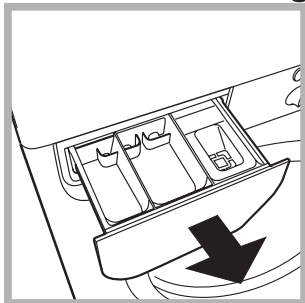
A víz elzárása és az elektromos áram kikapcsolása

- Minden mosás után zárja el a vízcsapot. Így kíméli a mosógép vízrendszerét és megszünteti a vízszivárgás kockázatát.
- A mosógép tisztításakor, illetve karbantartásakor húzza ki a hálózati csatlakozódugót az aljzatból.

A mosógép tisztítása

A külső részeket és a gumirészeket langyos, szappanos vizes ronggyal tisztíthatja. Ne használjon oldószert vagy súrolószert!

A mosószer-adagoló fiók tisztítása



A fiók felemelésével és kifelé húzásával vegye ki a fiókot (lásd ábra). Folyó víz alatt mossa ki! Ezt a tisztítást gyakran el kell végezni.

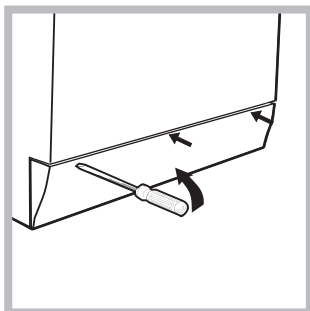
Az ajtó és a forgódob ápolása

- Az ajtót hagyja mindig részre nyitva, nehogy rossz szagok keletkezzenek.

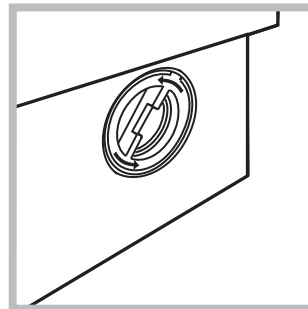
A szivattyú tisztítása

A mosógép öntisztító szivattyúval van felszerelve, melynek nincs szüksége tisztítási és karbantartási műveletekre. Előfordulhat azonban, hogy apró tárgyak (aprópénz, gomb) esnek a szivattyú alsó részén található szivattyúvédő előkamrába.

! Győződjön meg róla, hogy a mosóprogram véget ért, és húzza ki a hálózati csatlakozót.



Az előkamrához való hozzáférés érdekében tegye a következőket:
1. Egy csavarhúzó segítségével távolítsa el a burkolópanelt a készülék elejéről (lásd ábra);



2. Órairánnyal elmentétesen forgatva csavarja le a fedelet (lásd ábra). Természetes, hogy egy kevés víz kifolyik;

3. Gondosan tisztítsa ki az üreg belsejét;
4. Csavarja vissza a fedelet;
5. Szerelje vissza a panelt – mielőtt a gép felé nyomná, győződjön meg arról, hogy a horgok a hozzájuk tartozó furatokba illeszkednek.

A vízbevezető cső ellenőrzése

Évente legalább egyszer ellenőrizze a vízbevezető csövet. Ha repedezett vagy hasadozott, ki kell cserélni – a mosás során a nagy nyomás hirtelen szakadást okozhat.

! Soha ne használjon korábban már használt csöveket.

! A mosógép a nemzetközi biztonsági szabványoknak megfelelően lett tervezve és gyártva. Ezeket a figyelmeztetéseket biztonsági okokból írjuk le, kérjük, olvassa el őket figyelmesen!

Általános biztonság

- Ez a készüléket háztartási használatra lett tervezve.
- Ezt a készüléket a 8 éves kort betöltött gyermekek, valamint a testileg, érzékszervileg vagy szellemileg korlátozott, nem hozzáértő, illetve a terméket nem ismerő személyek csak megfelelő felügyelet mellett, vagy a készülék biztonságos használatával kapcsolatos alapvető utasítások és a kapcsolódó veszélyek ismeretében használhatják. A gyerekek nem játszhatnak a készülékkel. A karbantartási és tisztítási munkákat felügyelet nélkül hagyott gyerekek nem végezhetik.
- Ne érjen a géphez mezítláb, illetve vizes vagy nedves kézzel vagy lábbal!
- A csatlakozódugót az aljzatból ne a kábelnél, hanem a csatlakozónál fogva húzza ki!
- Működés közben ne nyissa ki a mosószer-adagoló fiókot.
- Ne nyúljon a leeresztett vízbe, mert forró lehet!
- Semmiképpen ne feszegesse az ajtót: megsérülhet a véletlen nyitást megakadályozó biztonsági retesz.
- Hiba esetén semmiképpen se nyúljon a gép belső részeihez, és ne próbálja megjavítani!
- Mindig ügyeljen arra, hogy gyermekek ne mehessenek a működő gép közelébe.
- A mosás során az ajtó meleg lehet.
- Amennyiben a gépet át kell helyezni, az áthelyezést két vagy három személy végezze, maximális odafigyeléssel. Soha ne próbálja egyedül elmozdítani, mert a készülék nagyon nehéz.
- A mosandó berakása előtt ellenőrizze, hogy a forgódob üres-e.

Hulladékelhelyezés

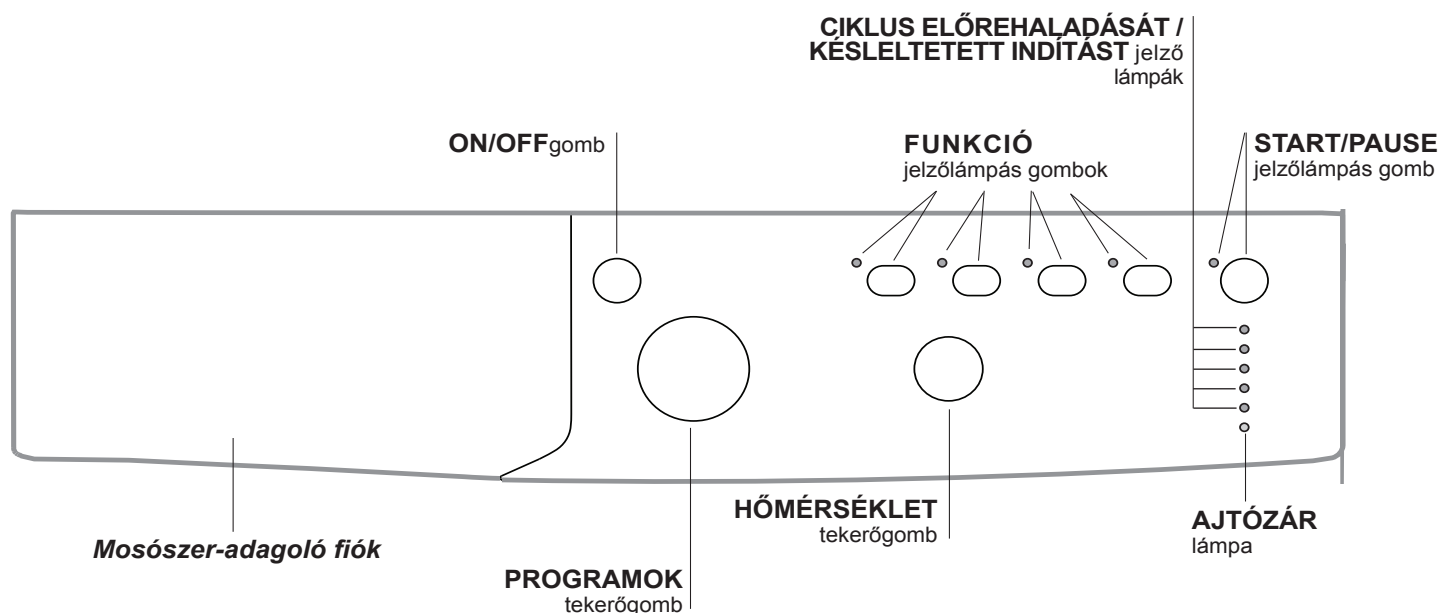
- A csomagolóanyag megsemmisítése: tartsa be a helyi előírásokat, így a csomagolás újrahasznosítható.
- Az elektromos készülékek megsemmisítéséről szóló európai direktíva 2012/19/EU - WEEE előírja, hogy a régi háztartási gépeket nem szabad a normál nem szelektív hulladékgyűjtési folyamat során összegyűjteni. A régi gépeket szelektíven kell összegyűjteni, hogy optimalizálni lehessen a bennük lévő anyagok újrahasznosítását és csökkenteni lehessen az emberi egészségre és környezetre gyakorolt hatásukat. Az áthúzott "szemeteskuka" jele emlékezteti Önt arra, hogy kötelessé-

ge ezeket a termékeket szelektíven összegyűjteni. A fogyasztóknak a helyi hatóságot vagy kereskedőt kell felkeresniük a régi háztartási gépek helyes elhelyezését illetően.

A mosógép leírása és program elindítása

HU

Kezelőpanel



Mosószer-adagoló fiók: a mosószerek és adalékanyagok betöltésére szolgál (lásd „Mosószerek és mosandók”).

ON/OFF gomb: a mosógép be-, illetve kikapcsolására szolgál.


PROGRAMOK tekerőgomb: a programok beállítására szolgál. A program lefutása alatt a tárcsa nem mozdul.

FUNKCIÓ jelzőlámpás gombok: a lehetséges funkciók kiválasztására szolgál. A kiválasztott funkció jelzőlámpája égve marad.

HŐMÉRSÉKLET tekerőgomb: a hőmérséklet, illetve a hideg vizes mosás beállítására szolgál (lásd „Egyéni beállítások”).

CIKLUS ELŐREHALADÁSÁT / KÉSLELTETETT INDÍTÁST jelző lámpák: a mosási program előrehaladásának követésére szolgál. Az égő lámpa az éppen folyamatban lévő fázist jelzi. Ha a késleltetésidőzítés funkció be lett állítva, a jelzőlámpák a program indításáig hátra lévő időt jelzik (lásd a szemben lévő oldalt).

AJTÓZÁR lámpa: az ajtó kinyithatóságának jelzésére szolgál (lásd a szemben lévő oldalt).

START/PAUSE jelzőlámpás gomb: a programok elindítására, illetve pillanatnyi megszakítására szolgál. Megjegyzés: A folyamatban lévő mosás szüneteltetéséhez nyomja meg ezt a gombot – a vonatkozó jelzőlámpa narancssárga fénnel fog villogni, míg a folyamatban lévő fázist jelző lámpa folyamatos fénnel világítani fog. Ha az AJTÓZÁR lámpa  nem világít, kinyithatja az ajtót (várjon kb. 3 percet). A mosásnak a megszakítás időpontjától való folytatásához nyomja meg ismét ezt a gombot.

Készenléti üzemmód

Ez a mosógép – az energiatakarékosságra vonatkozó legújabb előírásoknak megfelelően – automatikus kikapcsolási (készenléti) rendszerrel van ellátva, mely a használat 30 percnyi szüneteltetése esetén bekapcsol. Nyomja meg röviden a ON/OFF gombot, és várjon, amíg a készülék újrabekepcsol.

Jelzőlámpák

A jelzőlámpák fontos információkat közvetítenek. Ezek a következők:

Késleltetett indítás

Bekapcsolt a késleltetett indítás funkció (lásd „Egyéni beállítások”) – a program elindítása után a kiválasztott késleltetés lámpája villogni kezd:








Az idő múlásával a késleltetésből még hátralévő időt a megfelelő jelzőlámpa villogása jelzi.



A kiválasztott késleltetés leteltével a beállított program végrehajtása elkezdődik.

Folyamatban lévő fázis jelzőlámpái

A kívánt mosási ciklus kiválasztása és elindítása után a jelzőlámpák a program előrehaladásának megfelelően, egymás után kigyulladnak.

| | |
|---------------|---|
| Mosás |  |
| Öblítés |  |
| Centrifugálás |  |
| Ürítés |  |
| Mosás vége |  |

Funkciógombok és az azokhoz tartozó lámpák

A Kívánt funkció kiválasztásakor a megfelelő jelzőlámpa kigyullad.


Ha a kiválasztott funkció a beállított programmal nem fér össze, a megfelelő jelzőlámpa villogni kezd, és a funkció nem lesz bekapcsolva.

Ha a kiválasztott funkció egy korábban beállított programmal nem kompatibilis, az elsőként kiválasztott funkció lámpája villogni kezd, és csak a második funkció lesz bekapcsolva, a bekapcsolt funkció lámpája folyamatosan világít.

Ajtózár lámpa

A világító jelzőlámpa azt jelzi, hogy a véletlen nyitás megakadályozása érdekében az ajtó be van zárva. Az ajtó kinyitásához meg kell várni, hogy a jelzőlámpa kialudjon (várjon kb. 3 percet). Az ajtó menet közbeni kinyitásához nyomja meg az START/PAUSE gombot; ha az AJTÓZÁR lámpa kialudt, kinyithatja az ajtót.

Program elindítása

1. A ON/OFF gomb megnyomásával kapcsolja be a mosógépet. Néhány másodpercre az összes jelzőlámpa bekapcsol, majd kialszik, és az START/PAUSE Elámpa villogni kezd.
2. Helyezze be a mosandó ruhákat, és csukja be az ajtót.
3. A PROGRAMOK tekerőgombbal állítsa be a kívánt programot.
4. Állítsa be a mosási hőmérsékletet (lásd „Egyéni beállítások”).
5. Töltse be a mosószert és adalékanyagokat (lásd „Mosószerek és mosandók”).
6. Válassza ki a kívánt funkciókat.
7. Az START/PAUSE gomb megnyomásával indítsa el a programot, mire a megfelelő jelzőlámpa zöld fényel világítani kezd. A beállított mosási ciklus törléséhez az START/PAUSE gomb megnyomásával szüneteltesse le a készüléket, és válasszon egy új mosási ciklust.
8. A program végeztével kigyullad az END jelzőlámpa. Amikor az AJTÓZÁR  lámpa kialszik, az ajtót ki lehet nyitni (várjon kb. 3 percet). Vegye ki a mosandó ruhákat, és hagyja az ajtót félig nyitva, hogy a forgódob kiszáradjon. A ON/OFF gomb megnyomásával kapcsolja ki a mosógépet.

Programok

Programtáblázat

| Programok | Programleírás | Max. hom. (°C) | Max. sebesség (ford./perc) | Mosószeres | | | Max. ruhamennyiség (kg) | Maradék nedvesség tartalom % | Energiafogyasztás kWh | Összes víz lt | Programido |
|--------------------------------------|--|----------------|----------------------------|------------|-------|--------|-------------------------|------------------------------|-----------------------|---------------|------------|
| | | | | Eltömés | Mosás | Öblítő | | | | | |
| Hétköznapi programok (Daily) | | | | | | | | | | | |
| 1 | PAMUT ELOMOSÁS: Erosen szennyezett fehér ruhák. | 90° | 1000 | ● | ● | ● | 6 | 62 | 1,81 | 65 | 150' |
| 2 | Normál 60 °C-os pamutprogram (1): Erosen szennyezett fehér és magasabb hőmérsékleten mosható színes ruhák. | 60° (Max. 90°) | 1000 | - | ● | ● | 6 | 62 | 1,04 | 48,0 | 205' |
| 3 | Normál 40 °C-os pamutprogram (2): Enyhén szennyezett fehér és kényes színes ruhák. | 40° | 1000 | - | ● | ● | 6 | 62 | 1,03 | 65 | 190' |
| 4 | SZINTETIKUS: Erosen szennyezett, magasabb hőmérsékleten mosható színes ruhák. | 60° | 800 | - | ● | ● | 3 | 44 | 0,70 | 40 | 105' |
| 4 | SZINTETIKUS (3): Enyhén szennyezett, magasabb hőmérsékleten mosható színes ruhák. | 40° | 800 | - | ● | ● | 3 | 44 | 0,47 | 38 | 95' |
| 5 | SZÍNES PAMUT: Enyhén szennyezett fehér és kényes színes ruhák. | 40° | 1000 | - | ● | ● | 6 | 62 | 0,64 | 50 | 85' |
| 20° Zone | | | | | | | | | | | |
| 6 | Normál 20 °C-os pamutprogram: Enyhén szennyezett fehér és kényes színes ruhák. | 20° | 1000 | - | ● | ● | 6 | - | - | - | 170' |
| 7 | Mix Light | 20° | 800 | - | ● | ● | 6 | - | - | - | 120' |
| 8 | 20' Refresh | 20° | 800 | - | ● | ● | 1,5 | - | - | - | 20' |
| Speciális programok (Special) | | | | | | | | | | | |
| 9 | SELYEM/FÜGGÖNY: Selyem ruhaneműkhöz, viszkózus anyagokhoz, fehéruhaneműkhöz. | 30° | 0 | - | ● | ● | 1 | - | - | - | 55' |
| 10 | Gyapjú: Gyapjú, kasmír stb. ruhaneműk mosásához. | 40° | 800 | - | ● | ● | 1 | - | - | - | 65' |
| 11 | Jeans | 40° | 800 | - | ● | ● | 2,5 | - | - | - | 70' |
| Sport | | | | | | | | | | | |
| 12 | Sport Intensive | 30° | 600 | - | ● | ● | 2,5 | - | - | - | 85' |
| 13 | Sport Light | 30° | 600 | - | ● | ● | 2,5 | - | - | - | 60' |
| 14 | Sport Shoes | 30° | 600 | - | ● | ● | Max. 2 par | - | - | - | 55' |
| Részleges programok | | | | | | | | | | | |
| 15 | ÖBLÍTÉS | - | 1000 | - | - | ● | 6 | - | - | - | 36' |
| 16 | CENTRIFUGÁLÁS + SZIVATTYÚZÁS | - | 1000 | - | - | - | 6 | - | - | - | 16' |

A kijelzőn megjelenő vagy a kézikönyben feltüntetett ciklusidők szokásos körülmények alapján becsült értékek. A tényleges időt számos tényező befolyásolhatja – pl. a bemeneti víznyomás, a környezeti hőmérséklet, a mosószer mennyisége, a ruhatöltet mennyisége és típusa, a ruhatöltet kiegyensúlyozása, a kiválasztott további opciók.

1) 1061/2010 szabvány szerinti vezérlőprogramok: állítsa be a 2-os programot 60 °C.

Ez a ciklus egy adag, nem különösebben koszos pamut ruhadarabok mosására alkalmas, és ez a leghatékonyabb a víz- és energiafogyasztás szempontjából is. 60°C -on mosható termékekhez. A mosás tényleges hőmérséklete eltérhet a megjelölt értéktől.

2) 1061/2010 szabvány szerinti vezérlőprogramok: állítsa be a 3-os programot 40 °C.

Ez a ciklus egy adag, nem különösebben koszos pamut ruhadarabok mosására alkalmas, és ez a leghatékonyabb a víz- és energiafogyasztás szempontjából is. 40°C -on mosható termékekhez. A mosás tényleges hőmérséklete eltérhet a megjelölt értéktől.

A vizsgálószervek számára:

2) Hosszú pamut program: állítsa be a 3-es programot 40 °C-ra.

3) Szintetikus program mentén: állítsa be a 4-es programot 40 °C-ra.

A **Sport Intensive** programot (12-es program) az nagyon koszos sportruházatok (melegítők, rövid nadrágok stb.) mosására tervezték. A legjobb eredmény érdekében javasoljuk, hogy ne lépje túl a „programtáblázat”-ban feltüntetett maximális töltetet. A **Sport Light** programot (13-es program) az enyhén koszos sportruházatok (melegítők, rövid nadrágok stb.) mosására tervezték. A legjobb eredmény érdekében javasoljuk, hogy ne lépje túl a „programtáblázat”-ban feltüntetett maximális töltetet. Javasoljuk, hogy használjon folyékony mosószert féladagnak megfelelő adagban.

A **Sport Shoes** programot (14-as program) a sportcipők mosására tervezték. A legjobb eredmény érdekében ne mosson egyszerre 2 párnál többet.

A **20°C-os programok** (20° Zone) jó mosási teljesítményt kínálnak alacsony hőmérsékleten, így energiát takaríthat meg, ami megtakarítást jelent az Ön számára és kíméli a környezetet. A 20°C-os programok minden igényt kielégítenek:

normál 20 °C-os pamutprogram (6-es program)– Ideális a szennyezett pamut töltetekhez. A 40 C-os mosásához mérhető, akár hideg mosás mellett is elérhető jó teljesítményt egy rendszeres időközönként ismétlődő sebességcsúcsokkal jellemezhető, változó sebességű mechanikus mozgás biztosítja.

Mix Light (7-es program)– Ideális a közepesen szennyezett vegyes töltetekhez (pamut és műszálás). Az akár hideg mosás mellett is elérhető jó mosási teljesítményt egy adott hosszúságú közepes szünetekkel megszakított, változó sebességű mechanikus mozgás biztosítja.

20' Refresh (8-es program)– Ez a ciklus ideális az enyhén szennyezett ruhadarabok néhány perc alatti felfrissítéséhez. Mindössze 20 percig tart, így időt és energiát takarít meg. Különböző anyagból készült ruhadarabokat moshat együtt (kivéve gyapjút és selymet), maximum 1,5 kg-ot.

A hőmérséklet beállítása

A mosási hőmérséklet beállításához forgassa el a HŐMÉRSÉKLET tekerőgombot (lásd *Programtáblázat*).

A hőmérsékletet a hideg vízzel történő mosás hőmérséklet-értékéig lehet csökkenteni (✳).

A készülék automatikusan megakadályozza, hogy az egyes programokhoz maximálisan beállíthatónál magasabb fordulatszámra centrifugáljon.

! Kivétel: a 2 program kiválasztása esetén a hőmérséklet egészen 90°C-ig növelhető.

Funkciók

A mosógép különféle mosási funkciói lehetővé teszik a kívánt tisztítás és fehérség elérését.

A funkciók bekapcsolásához tegye a következőket:

1. Nyomja meg a kívánt funkció gombját.
2. A megfelelő jelzőlámpa világítása azt jelzi, hogy a hozzá tartozó funkció be van kapcsolva.

Megjegyzés:

- Ha a kiválasztott funkció a beállított programmal nem fér össze, a megfelelő jelzőlámpa villogni kezd, és a funkció nem lesz bekapcsolva.
- Ha a kiválasztott funkció egy korábban beállított programmal nem kompatibilis, az elsőként kiválasztott funkció lámpája villogni kezd, és csak a második funkció lesz bekapcsolva, a bekapcsolt funkció lámpája folyamatosan világít.

EcoTime

Ennek az opciónak a kiválasztásakor a mechanikus mozgás, a hőmérséklet és a vízhasználat kis, pamut és muszálas holmikart tartalmazó töltetre van optimalizálva (lásd *“programtáblázat”*). Az “EcoTime” opció használatával rövidebb idő alatt, víz- és energiatakarékosan mosható. Javasoljuk, hogy használjon folyékony mosószert a töltet mennyiségéhez illo adagban.

Energy Savér

Az Energy Savér funkció a mosandó ruhák mosóvizének fel nem melegítésével energiát takarít meg – ez előnyös mind a környezet, mind a villanyszámla szempontjából. Valóban, a fokozott teljesítmény és az optimalizált vízfogyasztás kitűnő eredményt biztosít normál ciklus átlagos időtartama alatt. A legjobb mosási eredmény elérése érdekében folyékony mosószert használatát javasoljuk.

© 1000-500

Nyomja meg ezt a gombot a centrifugálás sebességének csökkentéséhez.

⌚ Késleltetett indítás

A mosógép indítását maximum 12 órával késlelteti.

A késleltetés beállításához nyomogassa a gombot addig, míg a késleltetés kívánt értékét jelölő jelzőlámpa ki nem gyullad. A gomb ötödik megnyomására a funkció kikapcsol.

Megjegyzés: Az START/PAUSE gomb megnyomását követően a beállított program elindulásáig a késleltetés értékét csak csökkenteni lehet.

Mosószerek és mosandók

HU

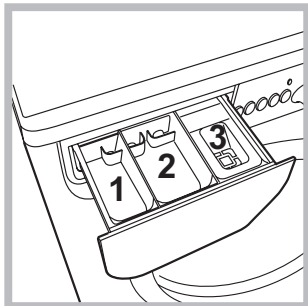
Mosószer-adagoló fiók

A mosás eredményessége függ a mosószer helyes adagolásától is: ha túl sokat adagol belőle, a mosás nem lesz hatékonyabb, de hozzájárul ahhoz, hogy lerakódás képződjön a mosógépben, valamint a környezetet is jobban szennyezi.

! Ne használjon kézi mosószert, mert túlzottan sok hab képződik.

! Fehér színű pamut ruhadarabokhoz, előmosáshoz és 60 °C-nál magasabb hőmérsékleten történő mosásokhoz mosóport használjon.

! Kövesse a mosópor csomagolásán feltüntetett utasításokat.



Húzza ki a mosószer-adagoló fiókot, és a következők szerint tegye bele a mosószert, illetve adalékot.

1-es rekesz: Mosószer előmosáshoz (por)

2-es rekesz: Mosószer mosáshoz (por vagy folyadék)

A folyékony mosószert csak az indítás előtt lehet betölteni.

3-as rekesz: Adalékok (öblítők stb.)

Az öblítő ne érjen a rács fölé.

A mosandó ruhák előkészítése

- Osztályozza a mosandókat a következők szerint:
 - Szövet típusa / címkén lévő szimbólum.
 - Színek Válogassa külön a színes és fehér ruhákat.
- Űritse ki a zsebeket, és vizsgálja meg a gombokat.
- Ne lépje túl a mosandók száraz tömegére vonatkozóan a "Programtáblázat" megadott értékeket.


Milyen nehezek a mosandó ruhák?

- 1 lepedő: 400–500 g
- 1 párnahuzat: 150–200 g
- 1 asztalterítő: 400–500 g
- 1 fürdőköpeny: 900–1200 g
- 1 törölköző: 150–250 g

Különleges bánásmódot igénylő ruhadarabok

Selyem: az összes selyem ruhadarab mosásához használja az ehhez való, **9-es** programot! A kényesebb ruhaneműkhöz tanácsos speciálisan rájuk kifejlesztett mosószert használni.

Függönyök: hajtogatva tegye párnahuzatba (vászonzsákba) vagy hálós zacskóba. Használja a **9-es** programot.

Gyapjú: A **10-os** programmal gyapjúholmikat lehet mosni, azokat is, melyek címkéjén a „csak kézzel mosható”  utasítás szerepel. A legjobb eredmény elérése érdekében használjon speciális mosószert, és ne lépje túl az 1 kg ruhatöltetet.

Jeans: A mosás előtt fordítsa ki a ruhadarabokat, és használjon folyékony mosószert. Használja a **11-es** programot.

A bepakolt ruhák kiegyensúlyozására szolgáló rendszer

A túlzott zajhatás megelőzésére, valamint a mosandók egyenletes eloszlása érdekében a forgódob a centrifugafázis előtt a mosási centrifugasebességnél kicsit nagyobb sebességre kapcsol. Amennyiben a töltet kiegyensúlyozására irányuló próbálkozások nem vezetnek eredményre, a készülék az elméleti centrifugasebességnél lassabb centrifugálásra kapcsol. Jelentős kiegyensúlyozatlanság esetén a mosógép, centrifugálás előtt megpróbálja a töltetet megfelelően elosztatni. A töltet megfelelő eloszlásának biztosítása érdekében ajánlatos a nagy ruhaneműket a kicsikkel összekeverni.

Előfordulhat, hogy a mosógép nem működik. Mielőtt felhívna a szervizt (lásd „Szerviz”), ellenőrizze, hogy nem olyan problémáról van-e szó, amely a következő lista segítségével egyszerűen megoldható!

Rendellenességek:

Lehetséges okok / megoldás:

A mosógép nem kapcsol be.

- A hálózati csatlakozódugó nincs bedugva az aljzatba, vagy nem eléggé ahhoz, hogy jól érintkezzen.
- Nincs áram a lakásban.

A mosási ciklus nem indul el.

- A mosógép ajtaja nincs jól bezárva.
- Nem nyomta meg a ON/OFF gombot.
- Nem nyomta meg az START/PAUSE gombot.
- A vízcsap nincs nyitva.
- Az indítás időjelzőjén késleltetés lett beállítva – késleltetésidőzítő.

A mosógép nem kap vizet (a kijelzőn a “H2O” felirat villog).

- A vízbevezető cső nincs csatlakoztatva a csaphoz.
- A cső meg van törve.
- A vízcsap nincs nyitva.
- A lakásban nincs víz.
- Nincs elegendő nyomás.
- Nem nyomta meg az START/PAUSE gombot.

A mosógép folytonosan szívja, és üríti a vizet.

- A leeresztőcső nem a padlószinttől 65 és 100 cm közötti magasságban van felszerelve (lásd „Üzembe helyezés”).
- A leeresztőcső vége vízbe merül (lásd „Üzembe helyezés”).
- A fali szifonnak nincs szellőzése.

Ha ezen vizsgálatok után a probléma nem oldódik meg, zárja el a vízcsapot, kapcsolja ki a mosógépet, és hívja ki a szervizszolgálatot. Ha a lakás egy épület legfelsőbb emeleteinek egyikén található, lehetséges, hogy a csatornaszellőző eltömődésének jelensége (szivornyahatás) lépett fel, ezért a mosógép folytonosan szívja, és leereszti a vizet. E kellemetlenség elkerülésére a kereskedelmi forgalomban rendelkezésre állnak csatornaszellőző-szelepek.

A mosógép nem üríti le a vizet, vagy nem centrifugál.

- A program nem ereszti le a vizet: néhány programnál a vizet kézzel kell leereszteni.
- A leeresztőcső meg van törve (lásd „Üzembe helyezés”).
- A lefolyó el van dugulva.

A mosógép nagyon rázkódik a centrifugálás alatt.

- Az üzembe helyezéskor a forgódob rögzítése nem lett eltávolítva (lásd „Üzembe helyezés”).
- A készülék nincs vízszintben (lásd „Üzembe helyezés”).
- A mosógép bútorok és falak közé van szorítva (lásd „Üzembe helyezés”).

A mosógépből elfolyik a víz.

- A vízbevezető cső nincs jól felcsavarva (lásd „Üzembe helyezés”).
- A mosószer-adagoló fiók eltömődött (tisztításához lásd „Karbantartás és ápolás”).
- A leeresztőcső nincs szorosan rögzítve (lásd „Üzembe helyezés”).

Az „funkció” lámpák és az „start/pause” lámpa villog, az egyik „folyamatban lévő fázis” lámpa és az „ajtózár” lámpa állandó fénnel világít.

- Kapcsolja ki a készüléket, és húzza ki a dugót a konnektorból, várjon körülbelül 1 percet, majd indítsa újra!
Ha a hiba továbbra is fennáll, forduljon a szervizhez!

Sok hab képződik.

- A mosószer nem mosógépekhez való (kell, hogy szerepeljen rajta, hogy „gépi”, „kézi vagy gépi mosáshoz”, vagy hasonló).
- Túl sok mosószert használt.

Mielőtt a szervizhez fordulna:

- Győződjön meg arról, hogy a hibát nem tudja saját maga is elhárítani (lásd „Rendellenességek és elhárításuk”);
- Indítsa újra a programot, hogy lássa, elhárította-e a hibát;
- Ellenkező esetben forduljon az engedéllyel rendelkező szakszervizhez a garanciajegyen található telefonszámon.

! Soha ne forduljon engedéllyel nem rendelkező szerelőhöz!

Közölje:

- a meghibásodás jellegét;
- a mosógép típusát (Mod.);
- a gyártási számot (S/N).

Ezek az adatok a mosógép hátoldalán, illetve az elülső oldalon az ajtó belsején elhelyezett adattáblán található.

| A BIZOTTSÁG 1061/2010/EU FELHATALMAZÁSON ALAPULÓ RENDELETE | |
|--|---------------------|
| Márka | INDESIT |
| Típusazonosító | IWSB 61051 C ECO EU |
| Előírt kapacitás a pamut kg-jában kifejezve. | 6 |
| Energiahatékonysági osztály A+++ (alacsony fogyasztás) osztálytól G (magas fogyasztás) osztályig. | A+ |
| Éves energiafogyasztás kWh/év-ben kifejezve. ¹⁾ | 196 |
| A normál 60 °C-os pamutprogram teljes töltet melletti energiafogyasztása kWh-ban. ²⁾ | 1.066 |
| A normál 60 °C-os pamutprogram részleges töltet melletti energiafogyasztása kWh-ban. ²⁾ | 0.731 |
| A normál 40 °C-os pamutprogram részleges töltet melletti energiafogyasztása kWh-ban. ²⁾ | 0.653 |
| Energiafogyasztás kikapcsolt üzemmódban W-ban. | 0.5 |
| Energiafogyasztás bekapcsolva hagyott üzemmódban W-ban. | 8 |
| Éves vízfogyasztás literben. ³⁾ | 8118 |
| Centrifugálási hatékonysági osztály G osztálytól (alacsony hatékonyság) A osztályig (magas hatékonyság). | C |
| Maximálisan elérhető centrifugálási sebesség. ⁴⁾ | 1000 |
| Megmaradó nedvességtartalom. ⁵⁾ | 62.0% |
| Programidő a teljes töltetű „normál 60 °C-os pamutprogramon” percben kifejezve és percre kerekítve. | 230 |
| Programidő a részleges töltetű „normál 60 °C-os pamutprogramon” percben kifejezve és percre kerekítve. | 175 |
| Programidő a részleges töltetű „normál 40 °C-os pamutprogramon” percben kifejezve és percre kerekítve. | 170 |
| A bekapcsolva hagyott üzemmód időtartama. | 30 |
| Zajkibocsátás dB(A)-ben kifejezve 1 pW hangteljesítményre vonatkoztatva mosás esetén. ⁶⁾ | 60 |
| Zajkibocsátás dB(A)-ben kifejezve 1 pW vonatkoztatva centrifugálás esetén. ⁶⁾ | 76 |
| Beépíthető modell. | |

¹⁾ A "normál 60 °C-os pamutprogram" teljes és részleges töltet mellett és a „normál 40 °C-os pamutprogram” részleges töltet mellett az a normál mosási program, amelyre a címkén és az adatlapon található tájékoztatás vonatkozik. E programok alkalmasak az átlagosan szennyezett pamut ruhanemű mosására, illetve hogy az energia- és vízfogyasztás szempontjából együtt ezek a leghatékonyabb programok. A részleges töltet a felét jelenti az előírt töltetnek.

²⁾ A 60 °C-os és 40 °C-os pamutprogram esetében teljes és részleges töltet mellett 220 normál mosási cikluson és az alacsony villamosenergia-fogyasztású üzemmódokon alapul. A tényleges energiafogyasztás a készülék üzemeltetési módjától függ.

³⁾ A 60 °C-os és 40 °C-os pamutprogram esetében teljes és részleges töltet mellett 220 normál mosási cikluson alapul. A tényleges vízfogyasztás a készülék üzemeltetési módjától függ.

⁴⁾ A normál 60 °C-os pamutprogram esetén teljes és részleges töltet mellett vagy a normál 40 °C-os pamutprogram esetén részleges töltet mellett elért legnagyobb centrifugálási sebesség attól függően, hogy melyik az alacsonyabb.

⁵⁾ A normál 60 °C-os pamutprogram esetén teljes és részleges töltet mellett vagy normál 40 °C-os pamutprogram esetén részleges töltet mellett elért maradék nedvességtartalom attól függően, hogy melyik a nagyobb.

⁶⁾ A normál 60 °C-os pamutprogram mosási és centrifugálási fázisa esetében teljes töltet mellett

Whirlpool EMEA S.p.A. - Socio Unico
 via Carlo Pisacane n.1
 20016 Pero (MI)
 Italy
 www.indesit.com