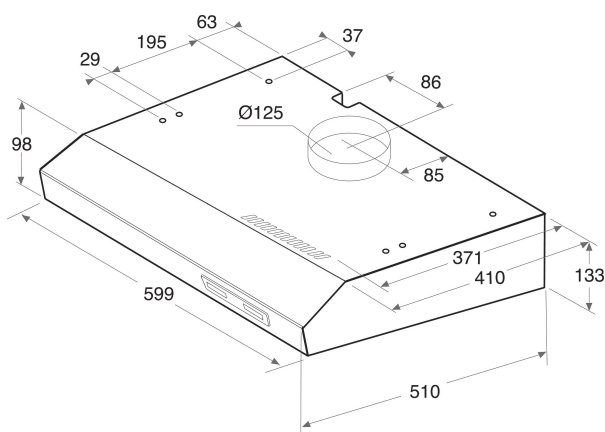


ISLK 66 LS X

12NC: F155250

GTIN (EAN) code: 8050147552506



MAIN FEATURES

MAIN FEATURES	
Product group	SPORÁKOVÉ ODSAVAČE
Colour body	PAR
Material body	Nerez
Colour chimney	Stainless steel
Material chimney	N/A
Typology	N/A
Installation type	Built-in/Built-under
Type of control	Volně stojící
Type of control settings	Mechanical
Decor panel options	-
Motor location	N/A
Operating Mode	Integrated motor in hood body
Electrical connection rating (W)	Convertible
Current (A)	121
Voltage (V)	0,75
Frequency (Hz)	220-240
Length of Electrical Supply Cord (cm)	50
Plug type	150
Chimney height (mm)	Europlug
Height of product, without chimney (mm)	0-0
Height of the product	0
Width of the product	132
Depth of the product	599
Minimum niche height	510
Minimum niche width	0
Niche depth	0
Net weight (kg)	0
	5.5

TECHNICAL FEATURES

Type of manual control devices	Slider
Type of automatic control devices	-
Number of motors	1
Total power of the motors (W)	115
Number of speed settings: boost option availability	3
Boost presence	Ne
Maximum output air extraction (m ³ /h)	272
Boost position air extraction (m ³ /h)	0
Maximum output recirculating air (m ³ /h)	75
Boost position output recirculating (m ³ /h)	0
Light Control Type	On/Off
Number of lights	2
Type of lamps used	LED
Total power of the lamps (W)	6
Diameter of air outlet (mm)	125
No-return airflow flap	Ne
Grease filter material	Not washable synthetic
Odour filter	Ne

ENERGETICKÝ ŠTÍTEK

Sound power at min. speed (2010/30/EU)	52
Sound power at max. speed (2010/30/EU)	71
Noise level with boost position (dB(A) re 1 pW)	0