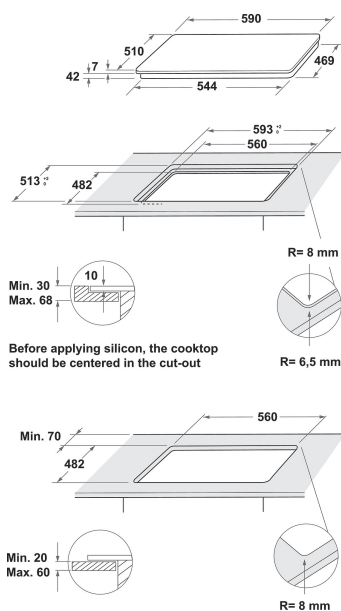
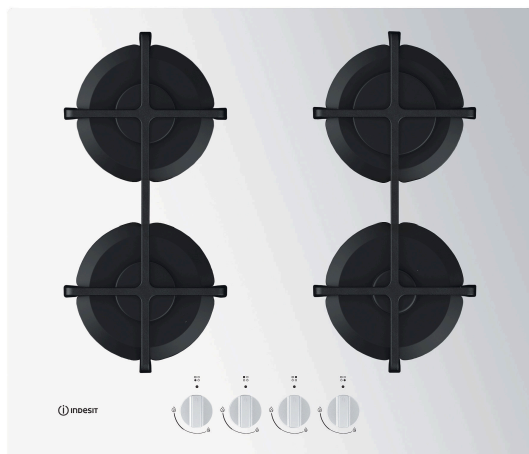


ING 61T/WH

12NC: F159014

GTIN (EAN) code: 8050147590140

Indesit
Life proof.



MAIN FEATURES

Product group	Hob
Construction type	Built-in
Type of control	Mechanical
Type of control settings	Knob
Number of gas burners	4
Number of electric cooking zones	0
Number of electric plates	0
Number of radiant plates	0
Number of halogen plates	0
Number of induction plates	0
Number of electric warming zones	0
Location of control panel	Front
Basic surface material	Glass
Main colour of product	White
Electrical connection rating (W)	0
Gas connection rating (W)	7300
Gas type	Methane
Current (A)	0
Voltage (V)	220-240
Frequency (Hz)	50/60
Length of Electrical Supply Cord (cm)	100
Plug type	Ne
Gas connection	N/A
Width of the product	590
Height of the product	49
Depth of the product	510
Minimum niche height	0
Minimum niche width	555
Niche depth	475
Net weight (kg)	10.9
Automatic programmes	Ne

TECHNICAL FEATURES

Power on indicator	Ne
Number of indicators	0
Type of regulation	Rapid
Type of lid	Without
Residual heat indicator	Without
Main on/off switch	Ne
Safety device	Ne
Timer	Ne

ENERGETICKÝ ŠTÍTEK

Energy input

Plynová